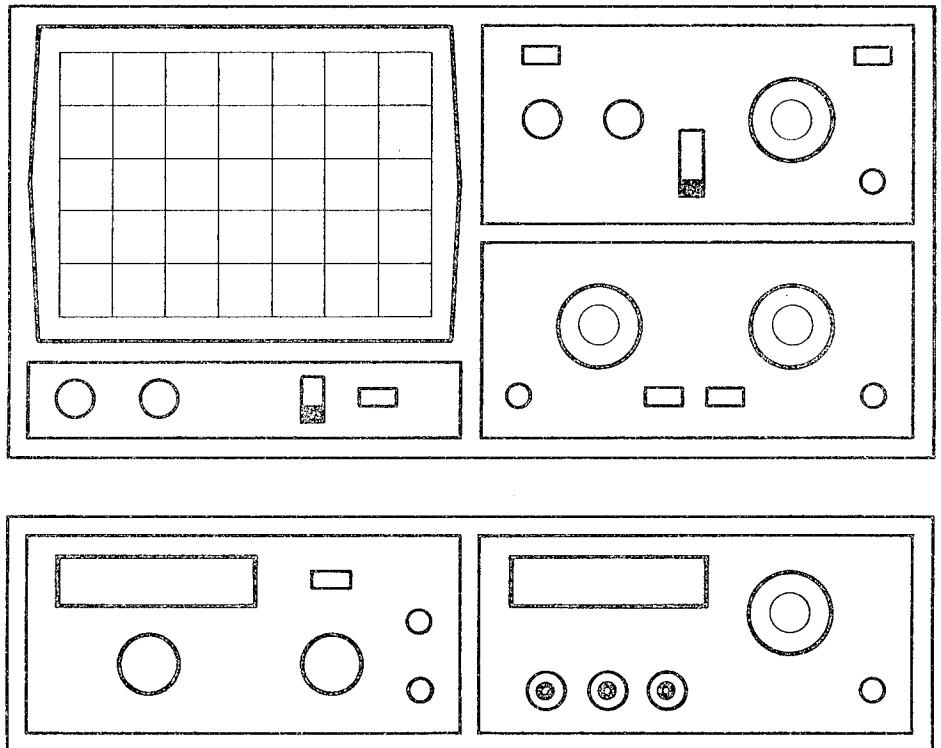


HAMEG

Instruments

Service Manual

HM305-2



Circuit diagrams

Board allocation

(Bottom view)	2
(Top view)	3

AT-Board

Diagram	4
Top side	5
Bottom side	6

Main-Board

Main-Board Diagram	7-11
Top side	12
Bottom side	13

FC-Board

Diagram	14-15
Top side	16
Bottom side	17

YF-Board

Diagram	18
Top and Bottom side	19

Digital-Board

Diagram	20-24
Top side	25
Bottom side	26

CRT-Board

Diagram	27
Top an Bottom side	28

PS-Board

Diagram	29
Top side	30
Bottom side	31

PI-Board

Diagram & Top and Bottom side	32
-------------------------------------	----

CT-Board

Diagram	33
Top and Bottom side	34

IF (RS232)-Board

Diagram	35
Top and Bottom side	36

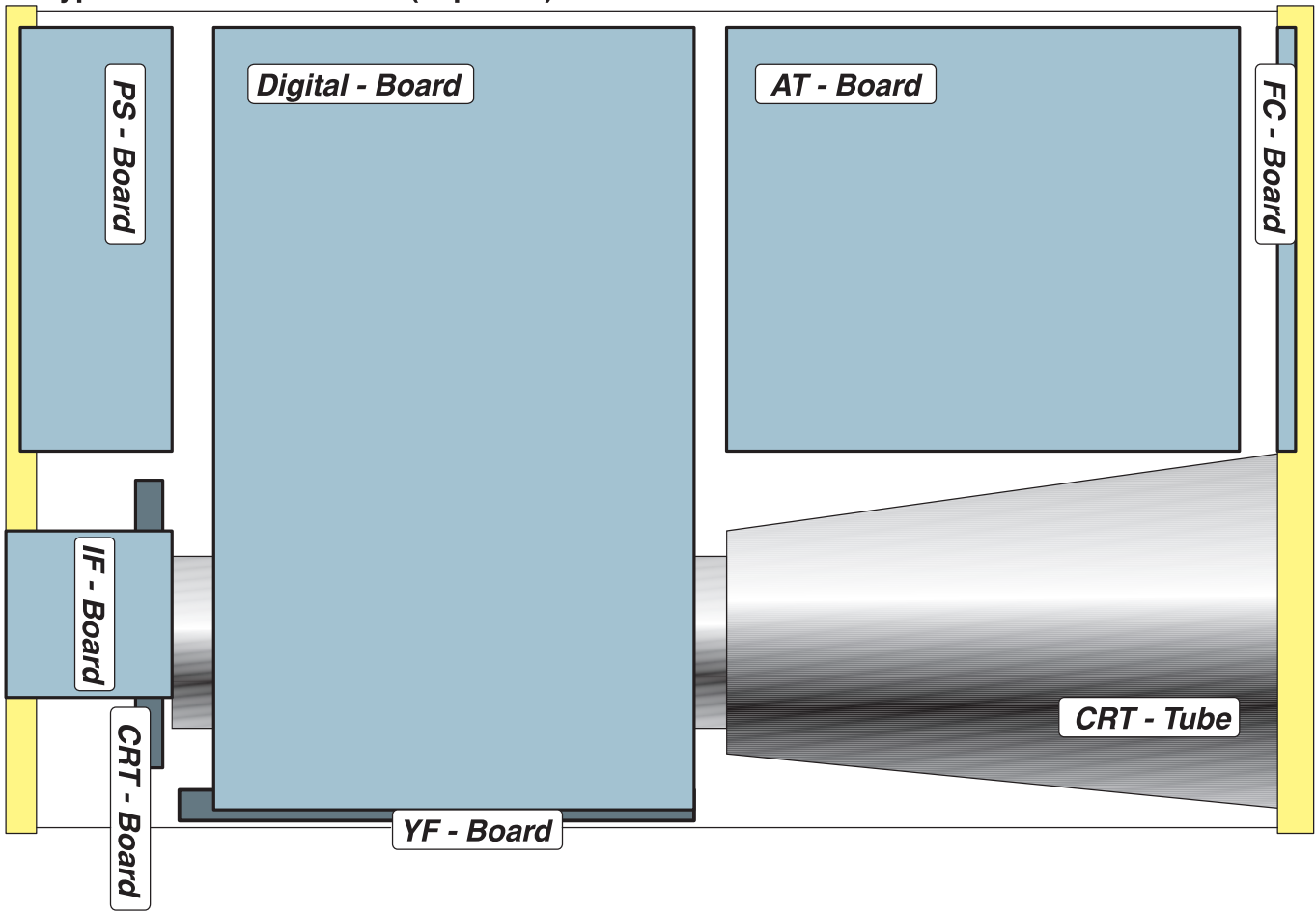
Adjustment procedure

Interface commands

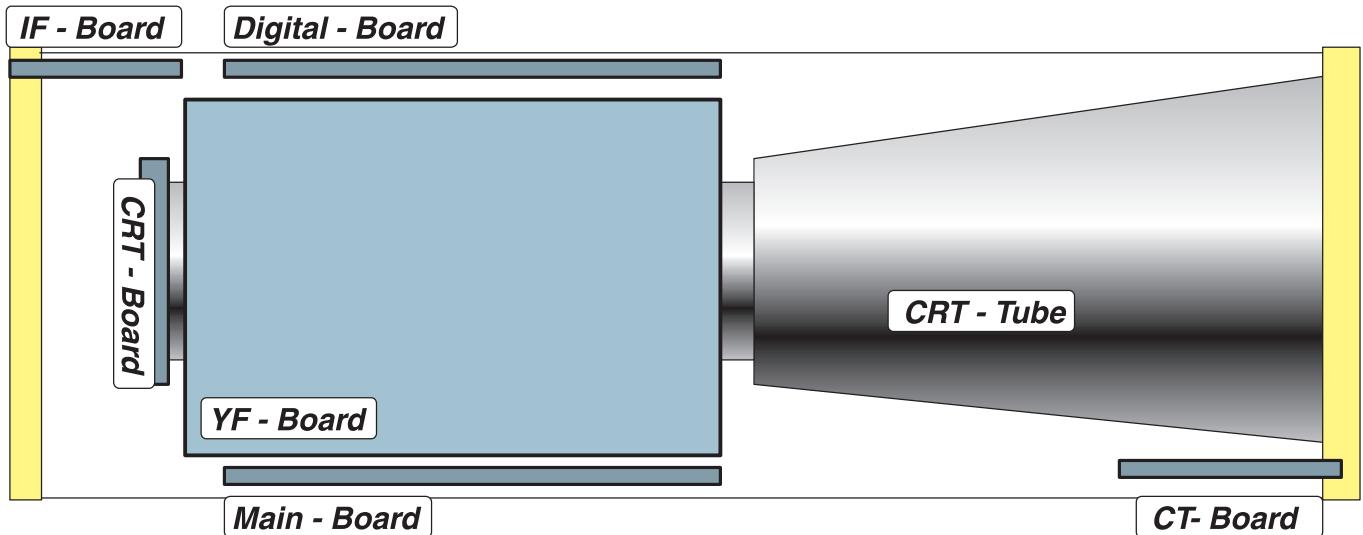


Service Manual
Circuit Diagrams
Adjustment procedure
Interface commands
HM305-2

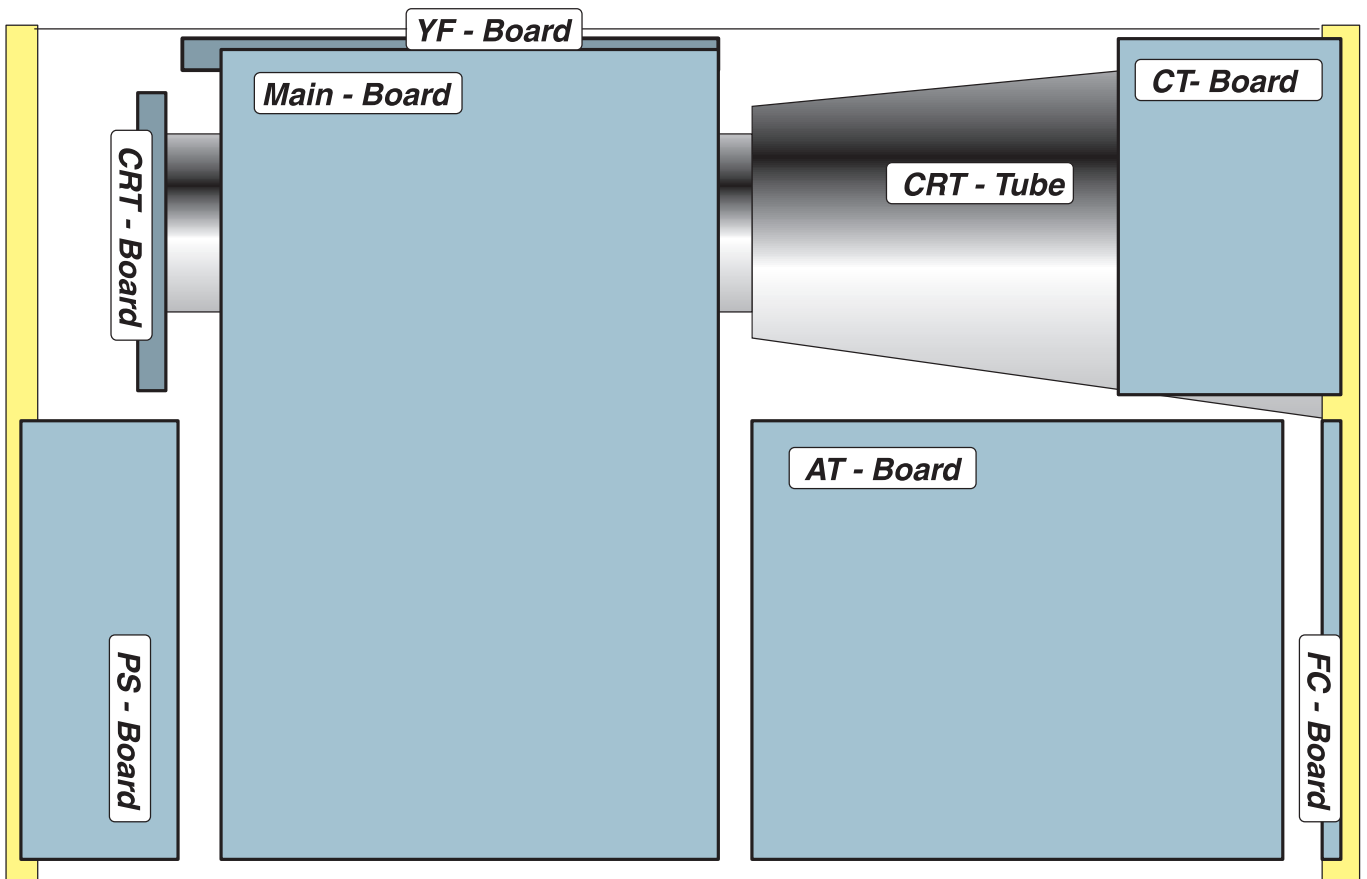
Typical boards allocation (Top view)



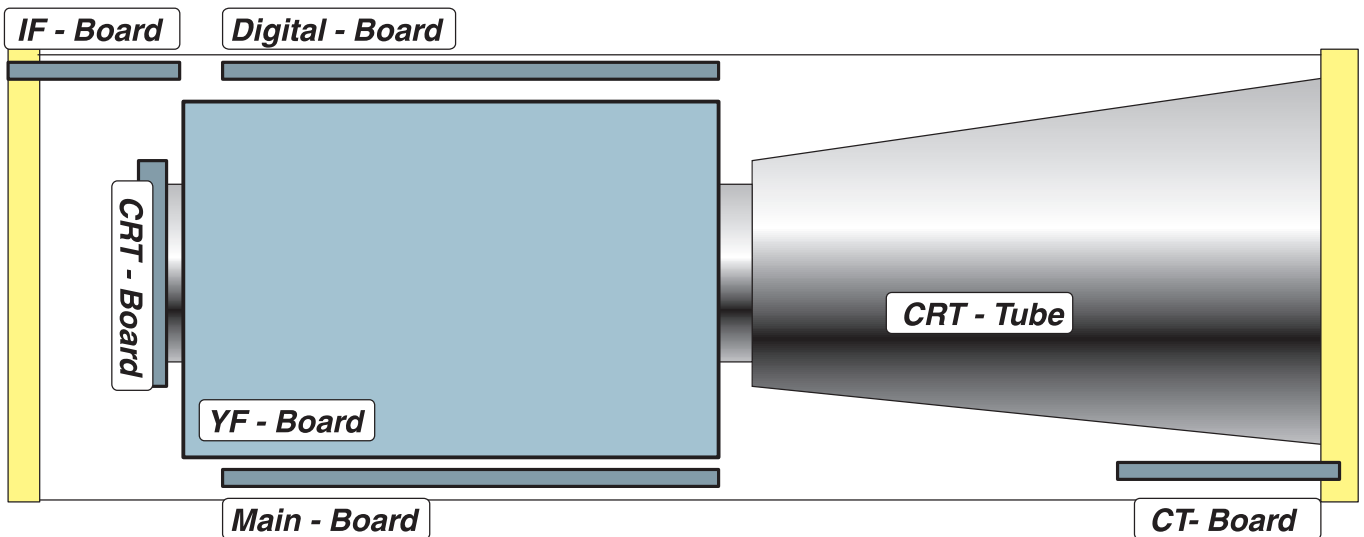
Typical boards allocation (Back side)

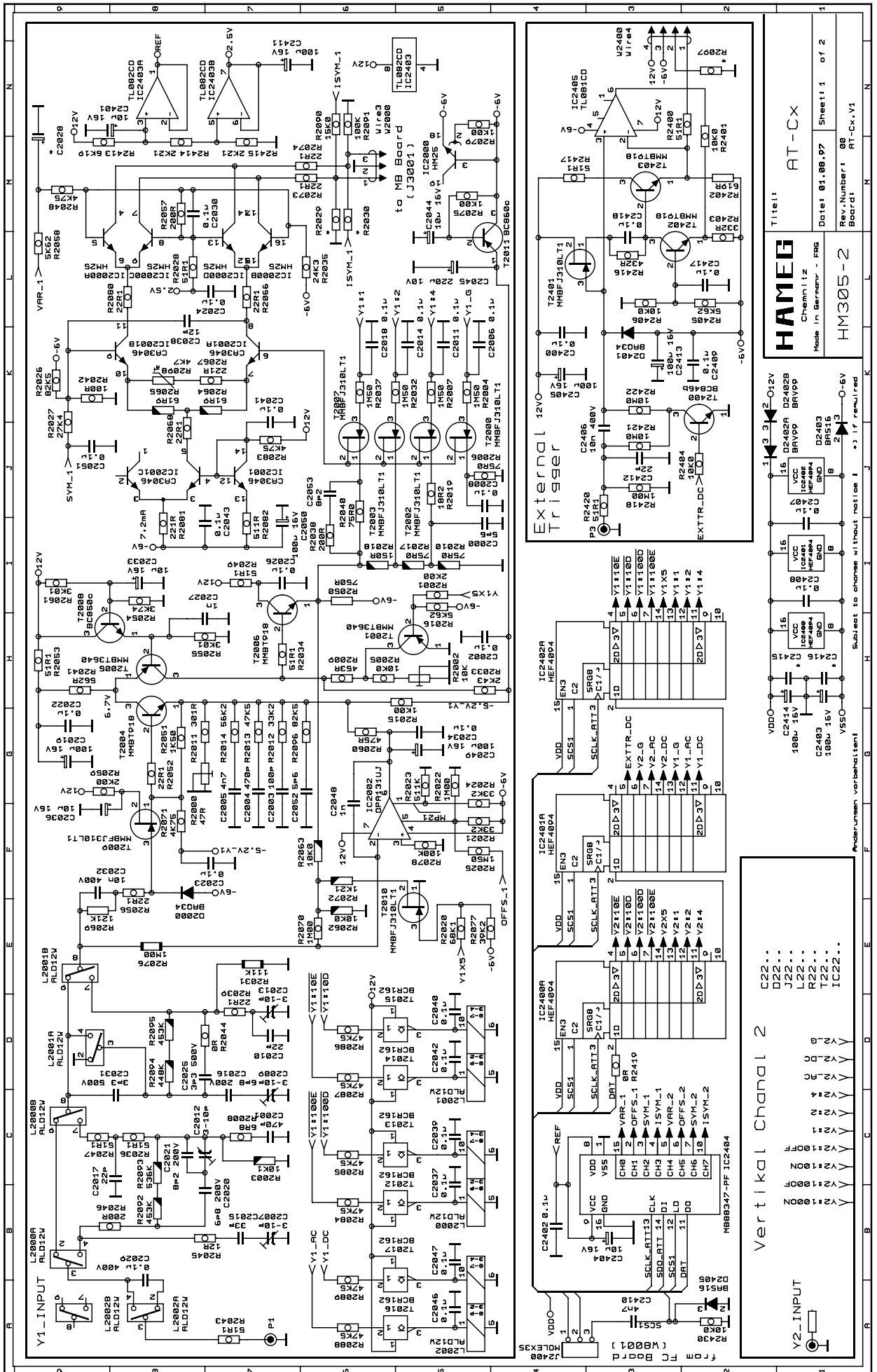


Typical boards allocation (Bottom view)



Typical boards allocation (Back side)

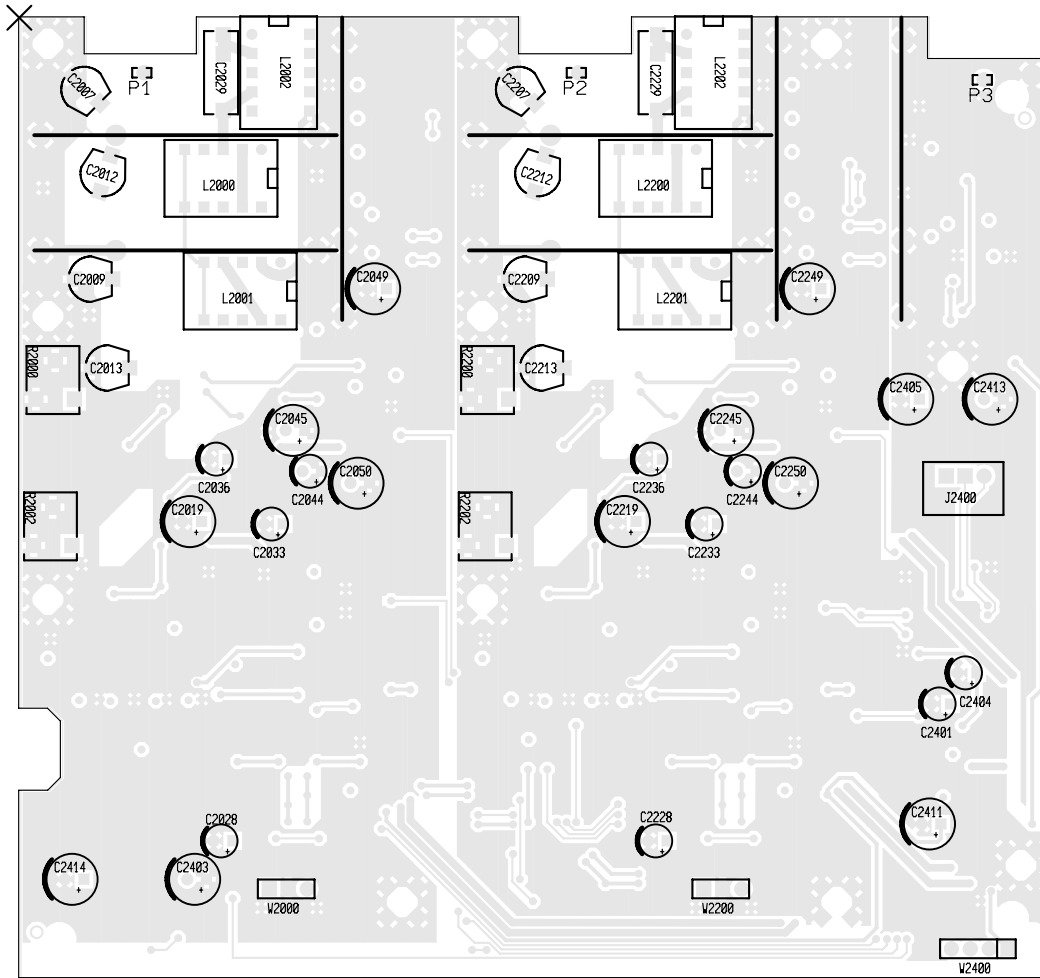




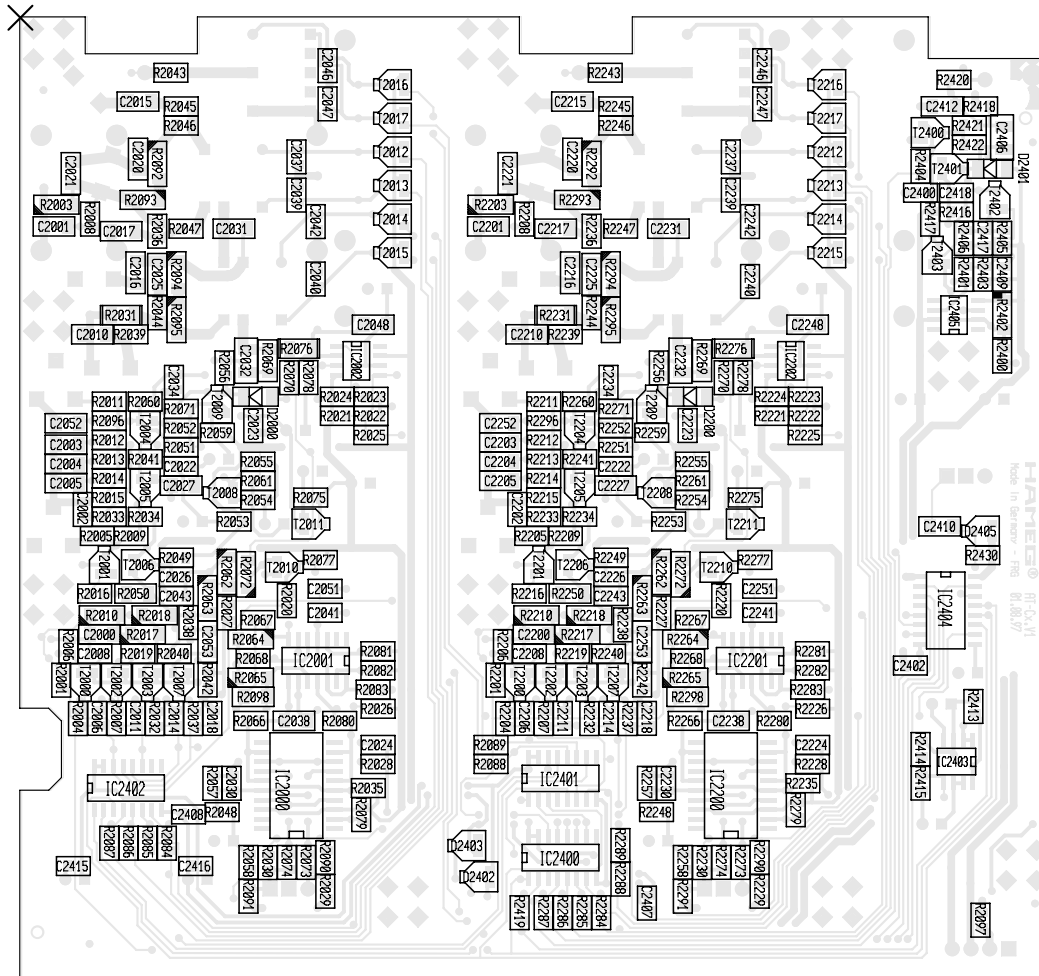
Titel: AT-CX
 Date: 01.06.97 Sheet: 1 of 2
 Rev-Number: 00
 Board: AT-CX.V1

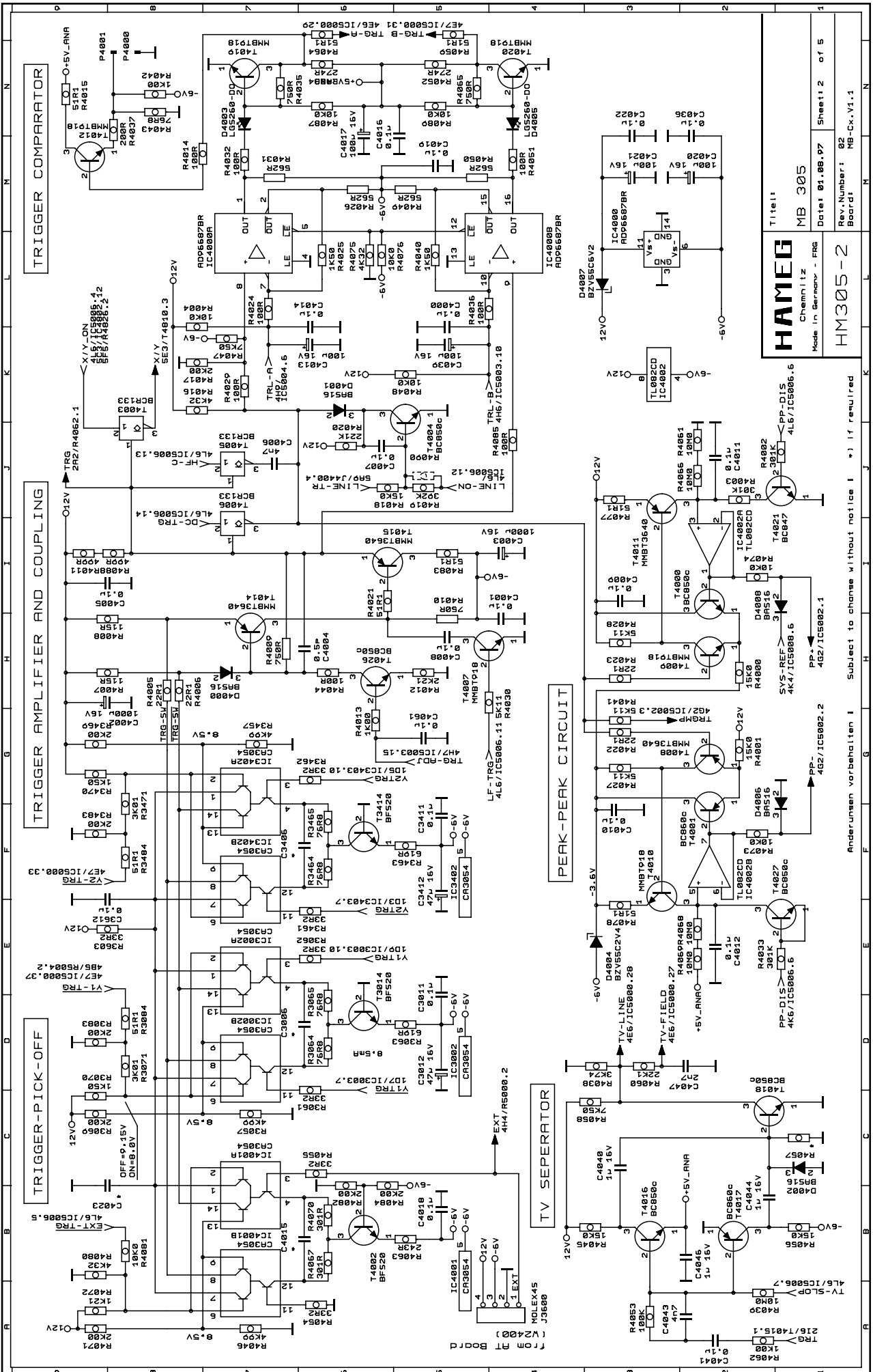
HAMEG
 Chemnitz
 Made in Germany - FRG
HM305-2

External Trigger
 P3 R2420
 C2405
 R2417
 R2418
 R2419
 R2421
 R2422
 R2423
 R2424
 R2425
 R2426
 R2427
 R2428
 R2429
 R2430
 R2431
 R2432
 R2433
 R2434
 R2435
 R2436
 R2437
 R2438
 R2439
 R2440
 R2441
 R2442
 R2443
 R2444
 R2445
 R2446
 R2447
 R2448
 R2449
 R2450
 R2451
 R2452
 R2453
 R2454
 R2455
 R2456
 R2457
 R2458
 R2459
 R2460
 R2461
 R2462
 R2463
 R2464
 R2465
 R2466
 R2467
 R2468
 R2469
 R2470
 R2471
 R2472
 R2473
 R2474
 R2475
 R2476
 R2477
 R2478
 R2479
 R2480
 R2481
 R2482
 R2483
 R2484
 R2485
 R2486
 R2487
 R2488
 R2489
 R2490
 R2491
 R2492
 R2493
 R2494
 R2495
 R2496
 R2497
 R2498
 R2499
 R2500
 R2501
 R2502
 R2503
 R2504
 R2505
 R2506
 R2507
 R2508
 R2509
 R2510
 R2511
 R2512
 R2513
 R2514
 R2515
 R2516
 R2517
 R2518
 R2519
 R2520
 R2521
 R2522
 R2523
 R2524
 R2525
 R2526
 R2527
 R2528
 R2529
 R2530
 R2531
 R2532
 R2533
 R2534
 R2535
 R2536
 R2537
 R2538
 R2539
 R2540
 R2541
 R2542
 R2543
 R2544
 R2545
 R2546
 R2547
 R2548
 R2549
 R2550
 R2551
 R2552
 R2553
 R2554
 R2555
 R2556
 R2557
 R2558
 R2559
 R2560
 R2561
 R2562
 R2563
 R2564
 R2565
 R2566
 R2567
 R2568
 R2569
 R2570
 R2571
 R2572
 R2573
 R2574
 R2575
 R2576
 R2577
 R2578
 R2579
 R2580
 R2581
 R2582
 R2583
 R2584
 R2585
 R2586
 R2587
 R2588
 R2589
 R2590
 R2591
 R2592
 R2593
 R2594
 R2595
 R2596
 R2597
 R2598
 R2599
 R2600
 R2601
 R2602
 R2603
 R2604
 R2605
 R2606
 R2607
 R2608
 R2609
 R2610
 R2611
 R2612
 R2613
 R2614
 R2615
 R2616
 R2617
 R2618
 R2619
 R2620
 R2621
 R2622
 R2623
 R2624
 R2625
 R2626
 R2627
 R2628
 R2629
 R2630
 R2631
 R2632
 R2633
 R2634
 R2635
 R2636
 R2637
 R2638
 R2639
 R2640
 R2641
 R2642
 R2643
 R2644
 R2645
 R2646
 R2647
 R2648
 R2649
 R2650
 R2651
 R2652
 R2653
 R2654
 R2655
 R2656
 R2657
 R2658
 R2659
 R2660
 R2661
 R2662
 R2663
 R2664
 R2665
 R2666
 R2667
 R2668
 R2669
 R2670
 R2671
 R2672
 R2673
 R2674
 R2675
 R2676
 R2677
 R2678
 R2679
 R2680
 R2681
 R2682
 R2683
 R2684
 R2685
 R2686
 R2687
 R2688
 R2689
 R2690
 R2691
 R2692
 R2693
 R2694
 R2695
 R2696
 R2697
 R2698
 R2699
 R2700
 R2701
 R2702
 R2703
 R2704
 R2705
 R2706
 R2707
 R2708
 R2709
 R2710
 R2711
 R2712
 R2713
 R2714
 R2715
 R2716
 R2717
 R2718
 R2719
 R2720
 R2721
 R2722
 R2723
 R2724
 R2725
 R2726
 R2727
 R2728
 R2729
 R2730
 R2731
 R2732
 R2733
 R2734
 R2735
 R2736
 R2737
 R2738
 R2739
 R2740
 R2741
 R2742
 R2743
 R2744
 R2745
 R2746
 R2747
 R2748
 R2749
 R2750
 R2751
 R2752
 R2753
 R2754
 R2755
 R2756
 R2757
 R2758
 R2759
 R2760
 R2761
 R2762
 R2763
 R2764
 R2765
 R2766
 R2767
 R2768
 R2769
 R2770
 R2771
 R2772
 R2773
 R2774
 R2775
 R2776
 R2777
 R2778
 R2779
 R2780
 R2781
 R2782
 R2783
 R2784
 R2785
 R2786
 R2787
 R2788
 R2789
 R2790
 R2791
 R2792
 R2793
 R2794
 R2795
 R2796
 R2797
 R2798
 R2799
 R2800
 R2801
 R2802
 R2803
 R2804
 R2805
 R2806
 R2807
 R2808
 R2809
 R2810
 R2811
 R2812
 R2813
 R2814
 R2815
 R2816
 R2817
 R2818
 R2819
 R2820
 R2821
 R2822
 R2823
 R2824
 R2825
 R2826
 R2827
 R2828
 R2829
 R2830
 R2831
 R2832
 R2833
 R2834
 R2835
 R2836
 R2837
 R2838
 R2839
 R2840
 R2841
 R2842
 R2843
 R2844
 R2845
 R2846
 R2847
 R2848
 R2849
 R2850
 R2851
 R2852
 R2853
 R2854
 R2855
 R2856
 R2857
 R2858
 R2859
 R2860
 R2861
 R2862
 R2863
 R2864
 R2865
 R2866
 R2867
 R2868
 R2869
 R2870
 R2871
 R2872
 R2873
 R2874
 R2875
 R2876
 R2877
 R2878
 R2879
 R2880
 R2881
 R2882
 R2883
 R2884
 R2885
 R2886
 R2887
 R2888
 R2889
 R2890
 R2891
 R2892
 R2893
 R2894
 R2895
 R2896
 R2897
 R2898
 R2899
 R2900
 R2901
 R2902
 R2903
 R2904
 R2905
 R2906
 R2907
 R2908
 R2909
 R2910
 R2911
 R2912
 R2913
 R2914
 R2915
 R2916
 R2917
 R2918
 R2919
 R2920
 R2921
 R2922
 R2923
 R2924
 R2925
 R2926
 R2927
 R2928
 R2929
 R2930
 R2931
 R2932
 R2933
 R2934
 R2935
 R2936
 R2937
 R2938
 R2939
 R2940
 R2941
 R2942
 R2943
 R2944
 R2945
 R2946
 R2947
 R2948
 R2949
 R2950
 R2951
 R2952
 R2953
 R2954
 R2955
 R2956
 R2957
 R2958
 R2959
 R2960
 R2961
 R2962
 R2963
 R2964
 R2965
 R2966
 R2967
 R2968
 R2969
 R2970
 R2971
 R2972
 R2973
 R2974
 R2975
 R2976
 R2977
 R2978
 R2979
 R2980
 R2981
 R2982
 R2983
 R2984
 R2985
 R2986
 R2987
 R2988
 R2989
 R2990
 R2991
 R2992
 R2993
 R2994
 R2995
 R2996
 R2997
 R2998
 R2999
 R3000
 R3001
 R3002
 R3003
 R3004
 R3005
 R3006
 R3007
 R3008
 R3009
 R3010
 R3011
 R3012
 R3013
 R3014
 R3015
 R3016
 R3017
 R3018
 R3019
 R3020
 R3021
 R3022
 R3023
 R3024
 R3025
 R3026
 R3027
 R3028
 R3029
 R3030
 R3031
 R3032
 R3033
 R3034
 R3035
 R3036
 R3037
 R3038
 R3039
 R3040
 R3041
 R3042
 R3043
 R3044
 R3045
 R3046
 R3047
 R3048
 R3049
 R3050
 R3051
 R3052
 R3053
 R3054
 R3055
 R3056
 R3057
 R3058
 R3059
 R3060
 R3061
 R3062
 R3063
 R3064
 R3065
 R3066
 R3067
 R3068
 R3069
 R3070
 R3071
 R3072
 R3073
 R3074
 R3075
 R3076
 R3077
 R3078
 R3079
 R3080
 R3081
 R3082
 R3083
 R3084
 R3085
 R3086
 R3087
 R3088
 R3089
 R3090
 R3091
 R3092
 R3093
 R3094
 R3095
 R3096
 R3097
 R3098
 R3099
 R3100
 R3101
 R3102
 R3103
 R3104
 R3105
 R3106
 R3107
 R3108
 R3109
 R3110
 R3111
 R3112
 R3113
 R3114
 R3115
 R3116
 R3117
 R3118
 R3119
 R3120
 R3121
 R3122
 R3123
 R3124
 R3125
 R3126
 R3127
 R3128
 R3129
 R3130
 R3131
 R3132
 R3133
 R3134
 R3135
 R3136
 R3137
 R3138
 R3139
 R3140
 R3141
 R3142
 R3143
 R3144
 R3145
 R3146
 R3147
 R3148
 R3149
 R3150
 R3151
 R3152
 R3153
 R3154
 R3155
 R3156
 R3157
 R3158
 R3159
 R3160
 R3161
 R3162
 R3163
 R3164
 R3165
 R3166
 R3167
 R3168
 R3169
 R3170
 R3171
 R3172
 R3173
 R3174
 R3175
 R3176
 R3177
 R3178
 R3179
 R3180
 R3181
 R3182
 R3183
 R3184
 R3185
 R3186
 R3187
 R3188
 R3189
 R3190
 R3191
 R3192
 R3193
 R3194
 R3195
 R3196
 R3197
 R3198
 R3199
 R3200
 R3201
 R3202
 R3203
 R3204
 R3205
 R3206
 R3207
 R3208
 R3209
 R3210
 R3211
 R3212
 R3213
 R3214
 R3215
 R3216
 R3217
 R3218
 R3219
 R3220
 R3221
 R3222
 R3223
 R3224
 R3225
 R3226
 R3227
 R3228
 R3229
 R3230
 R3231
 R3232
 R3233
 R3234
 R3235
 R3236
 R3237
 R3238
 R3239
 R3240
 R3241
 R3242
 R3243
 R3244
 R3245
 R3246
 R3247
 R3248
 R3249
 R3250
 R3251
 R3252
 R3253
 R3254
 R3255
 R3256
 R3257
 R3258
 R3259
 R3260
 R3261
 R3262
 R3263
 R3264
 R3265
 R3266
 R3267
 R3268
 R3269
 R3270
 R3271
 R3272
 R3273
 R3274
 R3275
 R3276
 R3277
 R3278
 R3279
 R3280
 R3281
 R3282
 R3283
 R3284
 R3285
 R3286
 R3287
 R3288
 R3289
 R3290
 R3291
 R3292
 R3293
 R3294
 R3295
 R3296
 R3297
 R3298
 R3299
 R3300
 R3301
 R3302
 R3303
 R3304
 R3305
 R3306
 R3307
 R3308
 R3309
 R3310
 R3311
 R3312
 R3313
 R3314
 R3315
 R3316
 R3317
 R3318
 R3319
 R3320
 R3321
 R3322
 R3323
 R3324
 R3325
 R3326
 R3327
 R3328
 R3329
 R3330
 R3331
 R3332
 R3333
 R3334
 R3335
 R3336
 R3337
 R3338
 R3339
 R3340
 R3341
 R3342
 R3343
 R3344
 R3345
 R3346
 R3347
 R3348
 R3349
 R3350
 R3351
 R3352
 R3353
 R3354
 R3355
 R3356
 R3357
 R3358
 R3359
 R3360
 R3361
 R3362
 R3363
 R3364
 R3365
 R3366
 R3367
 R3368
 R3369
 R3370
 R3371
 R3372
 R3373
 R3374
 R3375
 R3376
 R3377
 R3378
 R3379
 R3380
 R3381
 R3382
 R3383
 R3384
 R3385
 R3386
 R3387
 R3388
 R3389
 R3390
 R3391
 R3392
 R3393
 R3394
 R3395
 R3396
 R3397
 R3398
 R3399
 R3400
 R3401
 R3402
 R3403
 R3404
 R3405
 R3406
 R3407
 R3408
 R3409
 R3410
 R3411
 R3412
 R3413
 R3414
 R3415
 R3416
 R3417
 R3418
 R3419
 R3420
 R3421
 R3422
 R3423
 R3424
 R3425
 R3426
 R3427
 R3428
 R3429
 R3430
 R3431
 R3432
 R3433
 R3434
 R3435
 R3436
 R3437
 R3438
 R3439
 R3440
 R3441
 R3442
 R3443
 R3444
 R3445
 R3446
 R3447
 R3448
 R3449
 R3450
 R3451
 R3452
 R3453
 R3454
 R3455
 R3456
 R3457
 R3458
 R3459
 R3460
 R3461
 R3462
 R3463
 R3464
 R3465
 R3466
 R3467
 R3468
 R3469
 R3470
 R3471
 R3472
 R3473
 R3474
 R3475
 R3476
 R3477
 R3478
 R3479
 R3480
 R3481
 R3482
 R3483
 R3484
 R3485
 R3486
 R3487
 R3488
 R3489
 R3490
 R3491
 R3492
 R3493
 R3494
 R3495
 R3496
 R3497
 R3498
 R3499
 R3500
 R3501
 R3502
 R3503
 R3504
 R3505
 R3506
 R3507
 R3508
 R3509
 R3510
 R3511
 R3512
 R3513
 R3514
 R3515
 R3516
 R3517
 R3518
 R3519
 R3520
 R3521
 R3522
 R3523
 R3524
 R3525
 R3526
 R3527
 R3528
 R3529
 R3530
 R3531
 R3532
 R3533
 R3534
 R3535
 R3536
 R3537
 R3538
 R3539
 R3540
 R3541
 R3542



AT-Board Layout (Bottom side)

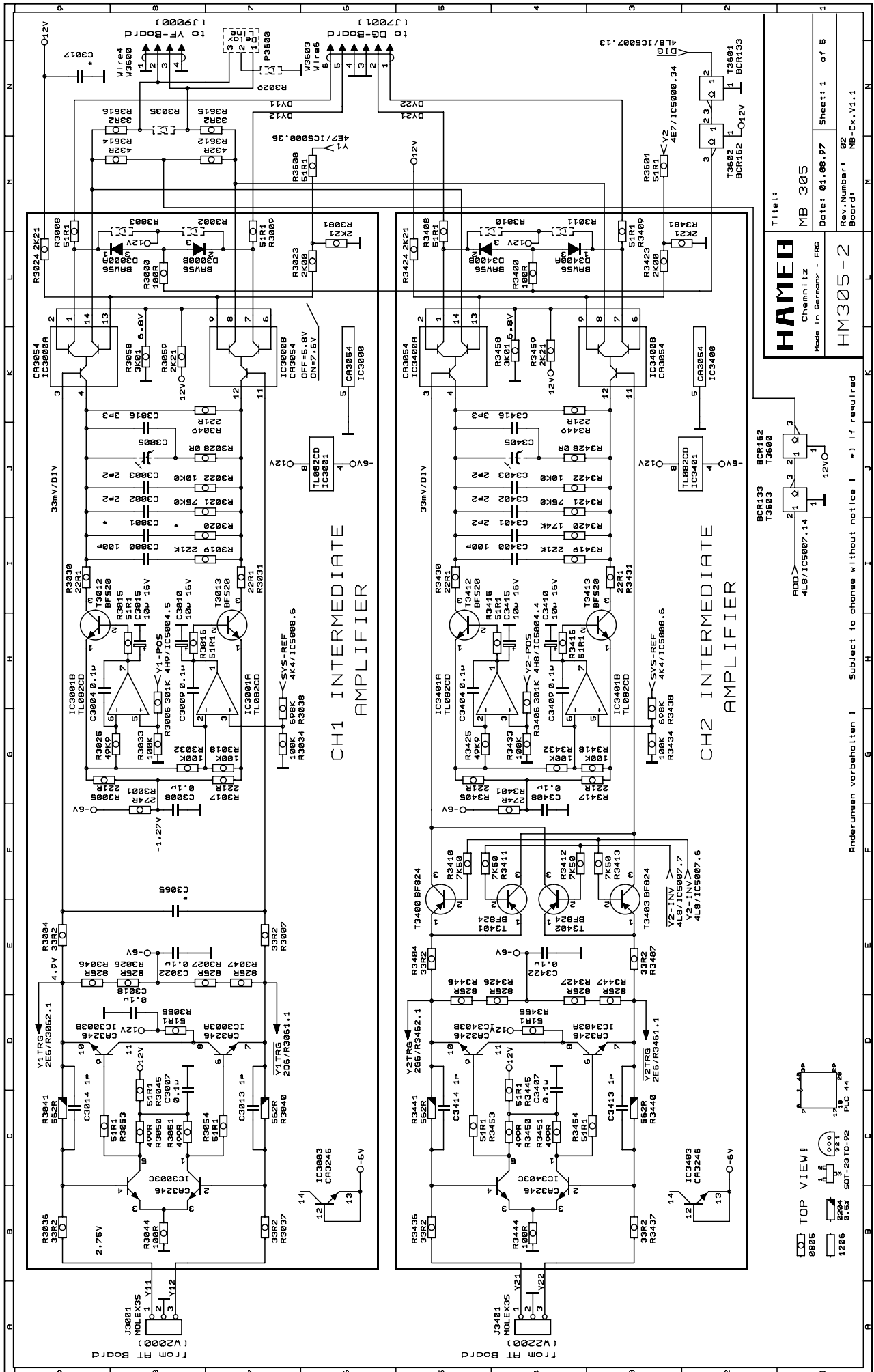


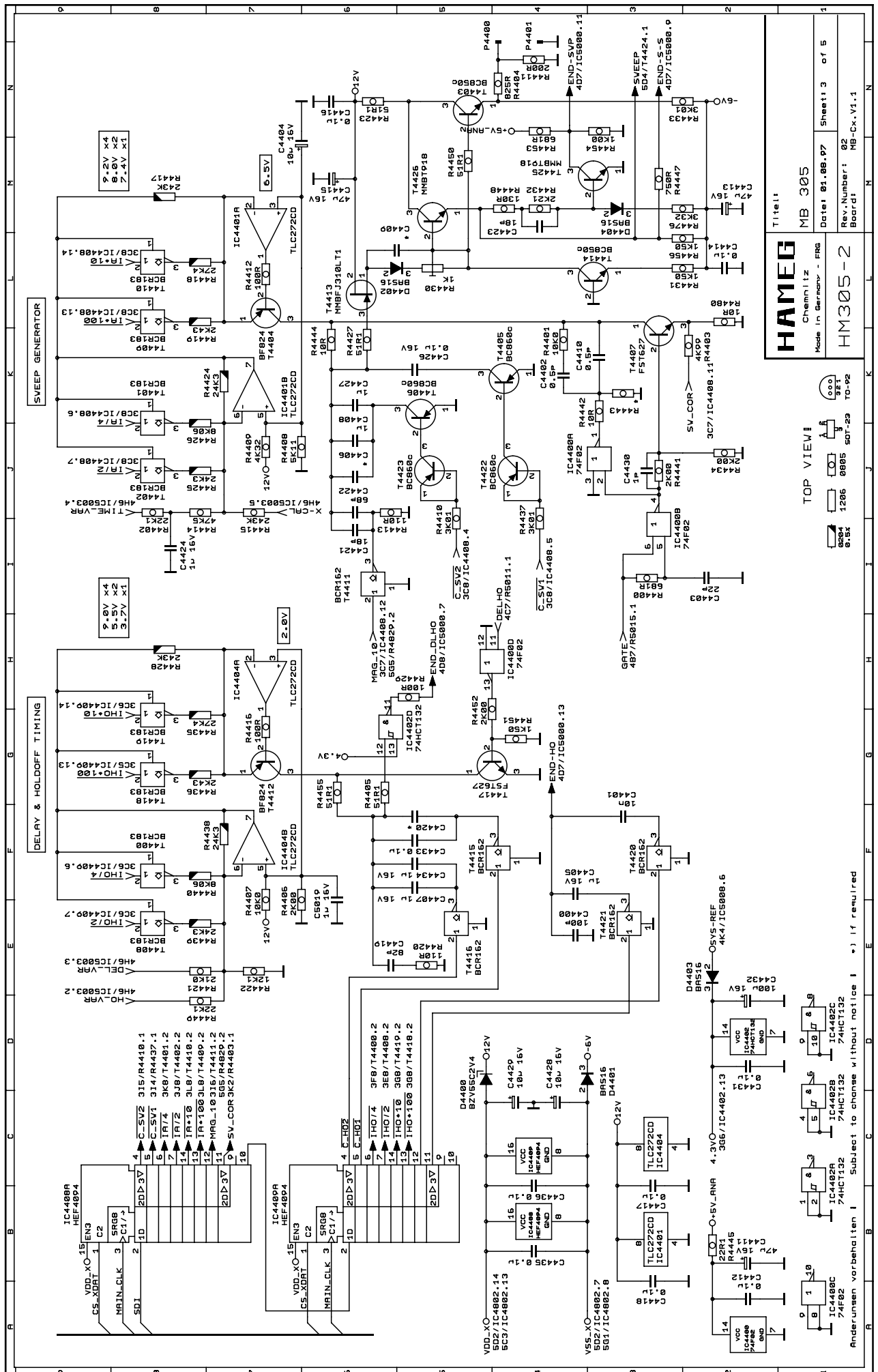


HAMEG
Chemnitz
Made in Germany - FRG

Title: MB 305
Rev. Number: 02
Date: 01.08.97
Sheet: 2 of 5
Board: MB-Cx, V1.1

HM305-2





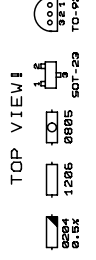
HAMEG
Chemnitz
Made in Germany - FRG

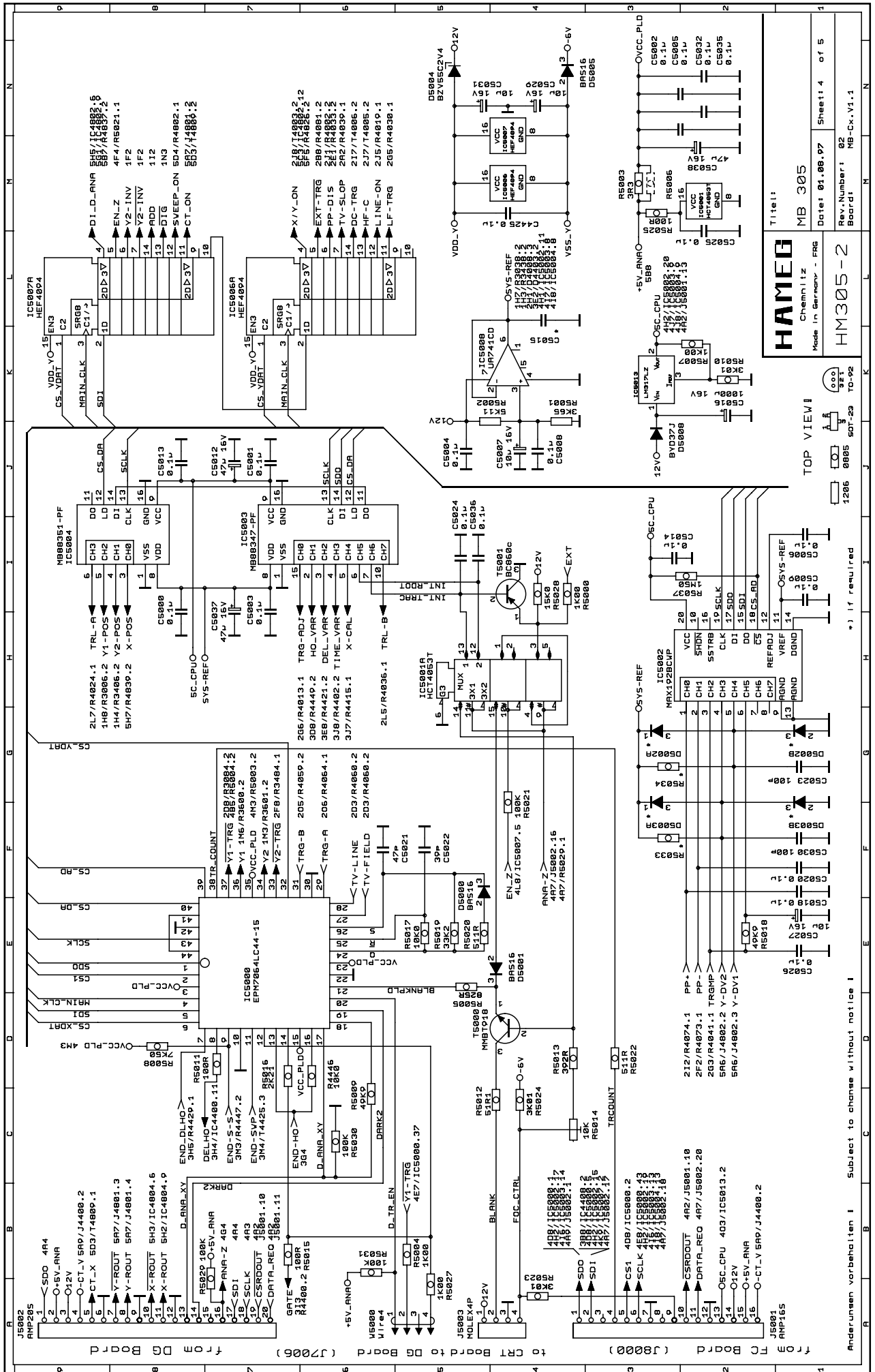
MB 305

Date: 01.08.97 Sheet: 3 of 5

Rev. Number: 02 MB-Cx.V1.1

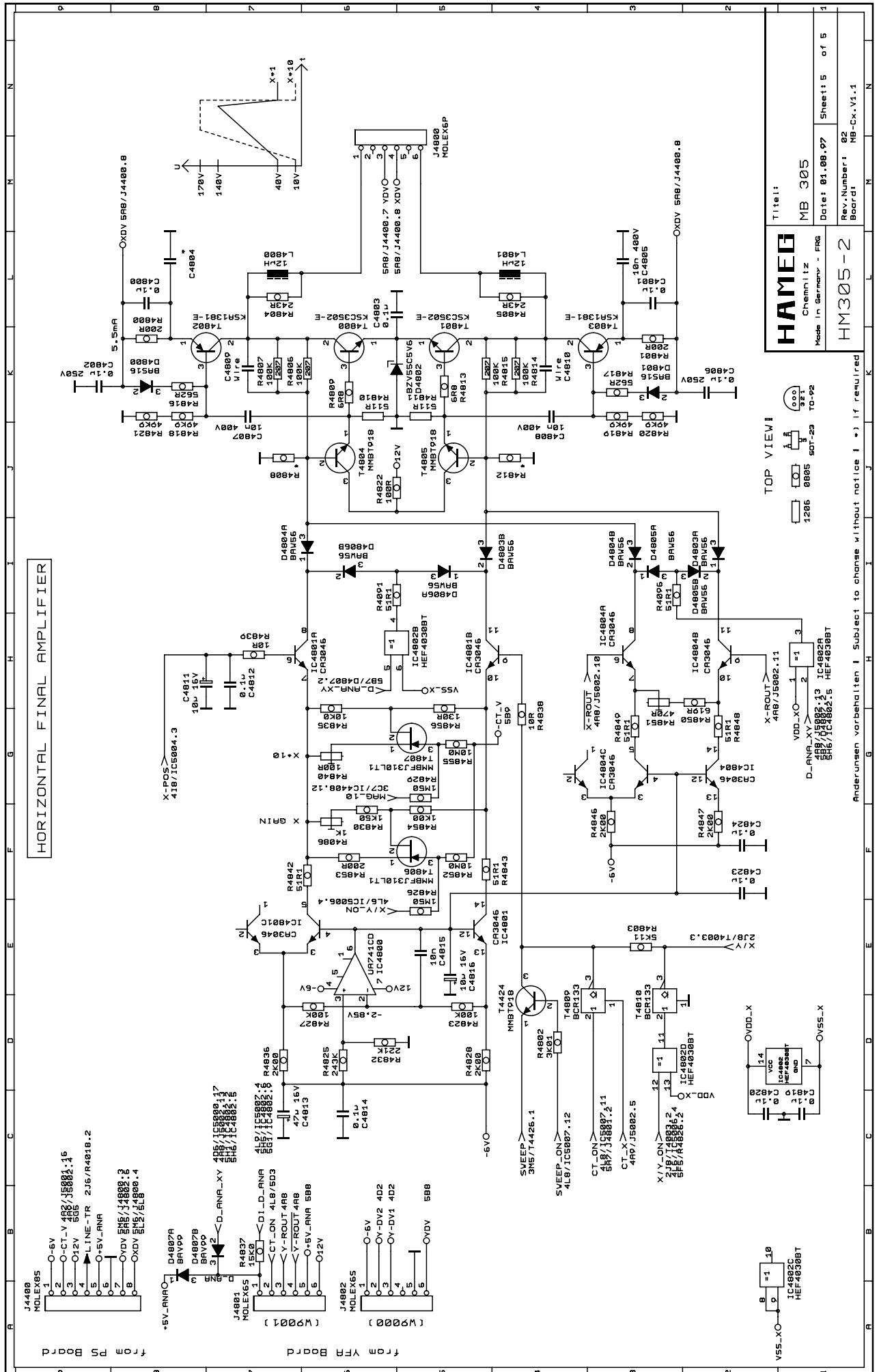
HM305-2





HAMEO
 Chemnitz
 Made in Germany - FRG
MB 305
 Date: 01.08.97
 Rev-Number: 02
 Board: MB-Cx.V1.1

TOP VIEW I
 1206 0805 507-23 TO-92
 *) If required



HORIZONTAL FINAL AMPLIFIER

HAMEG
Chemnitz
Made in Germany - FRG

Titel:
MB 305

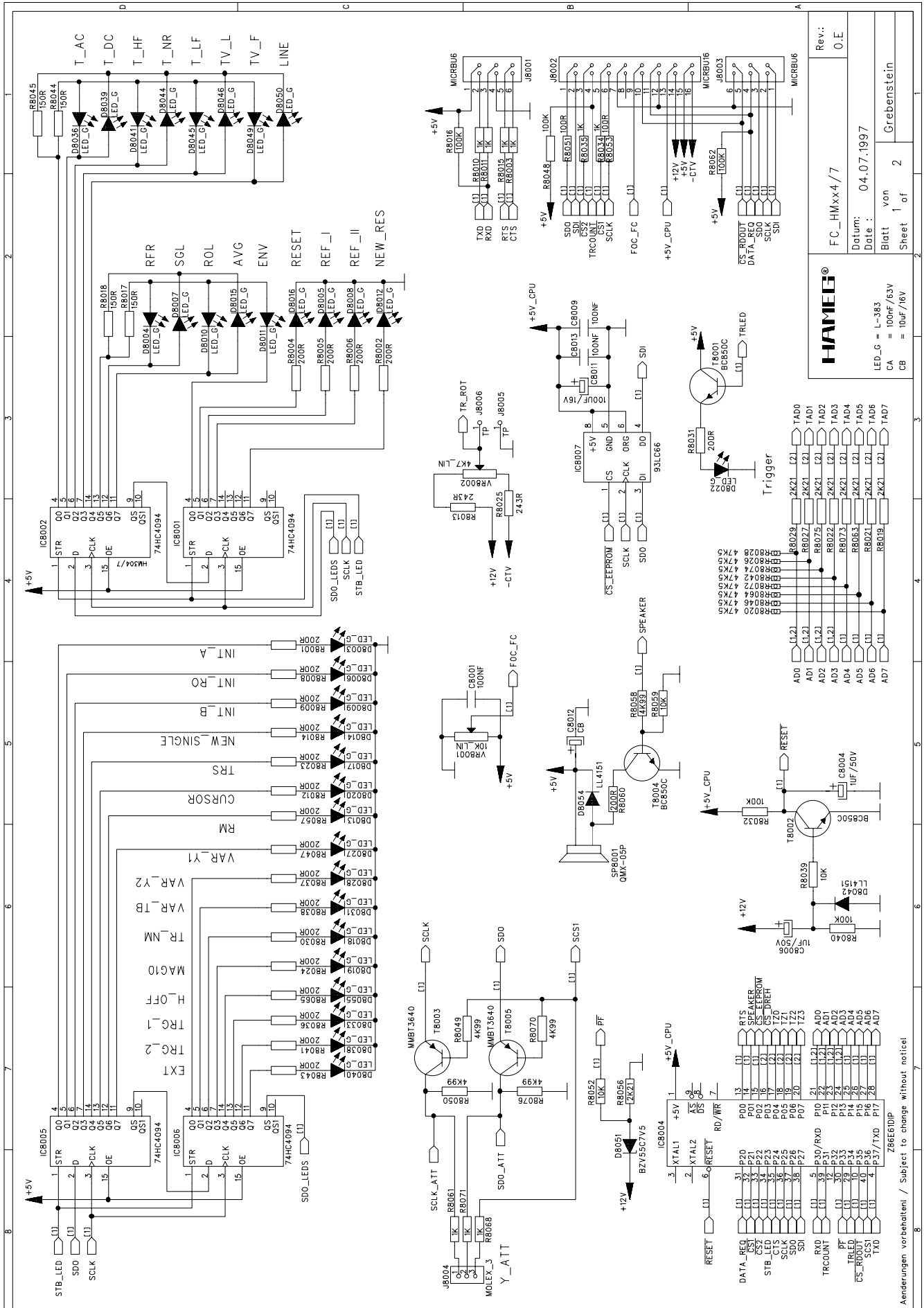
Date: 01.08.97 Sheet 15 of 5

Rev. Number: 02
Board: MB-Cx.V1.1

TOP VIEW!

1206 0805 SOT-23 TO-92

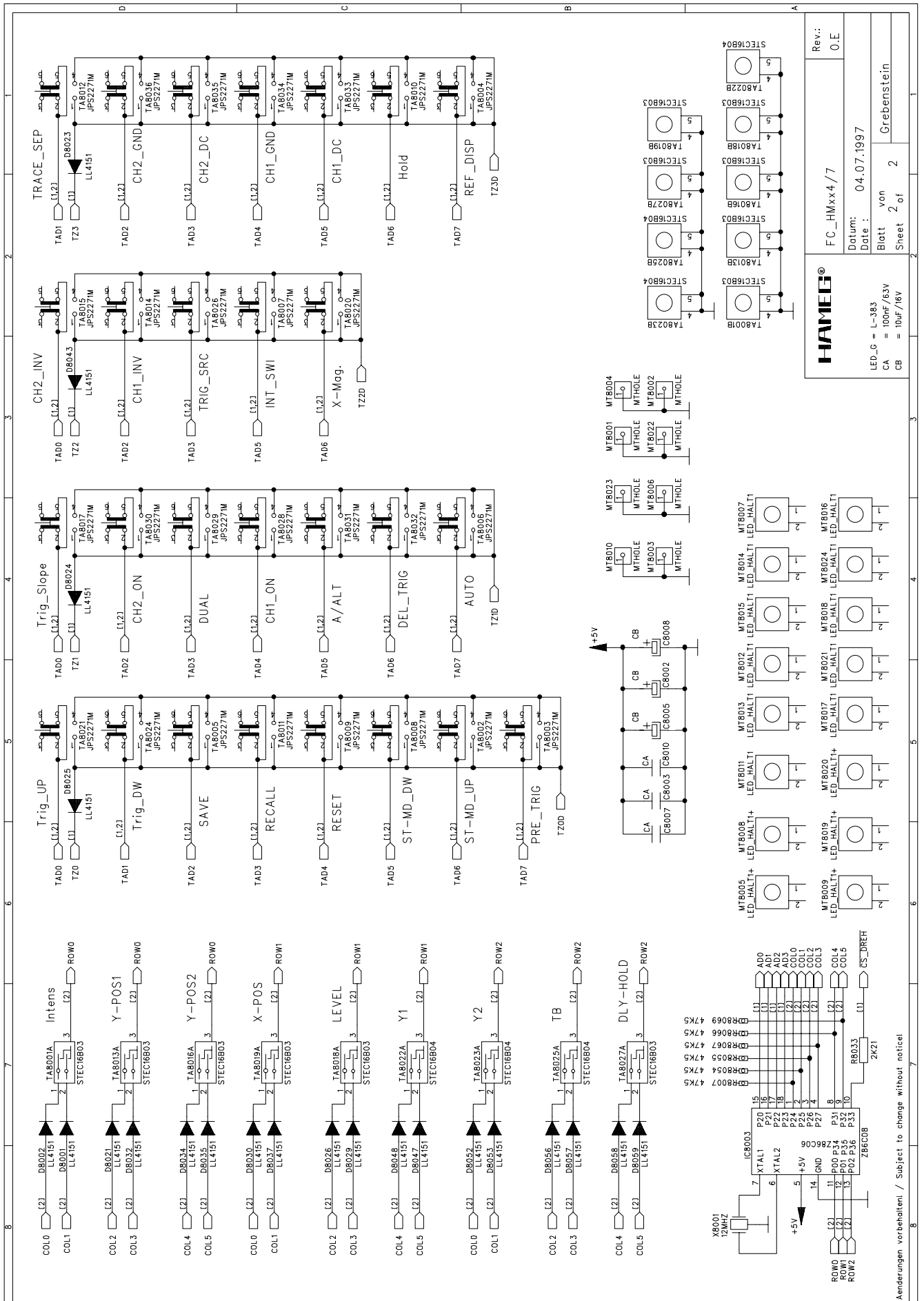
Anderungen vorbehalten | Subject to change without notice | , if required



Rev: O.E
 F.C._HMxx4/7
 Datum: 04.07.1997
 Blatt von 2
 Sheet 1 of 2
 Grebenstein

HAMEL
 LED_G = L-383
 CA = 100nF/63V
 CB = 10uF/16V

Anderungen vorbehalten / Subject to change without notice



HAMEL®

FC_HMxx4 / 7

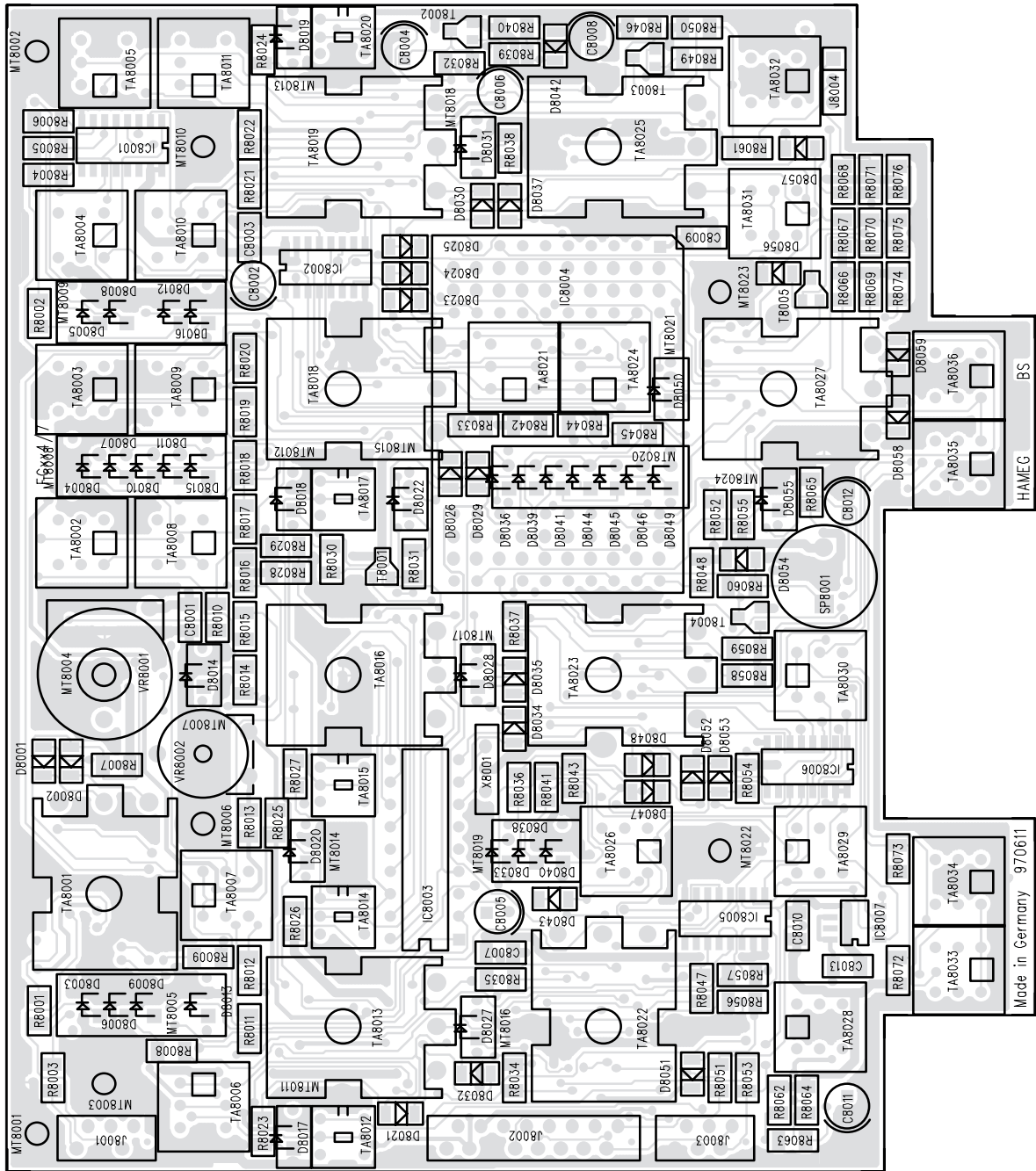
Rev.: O.E.

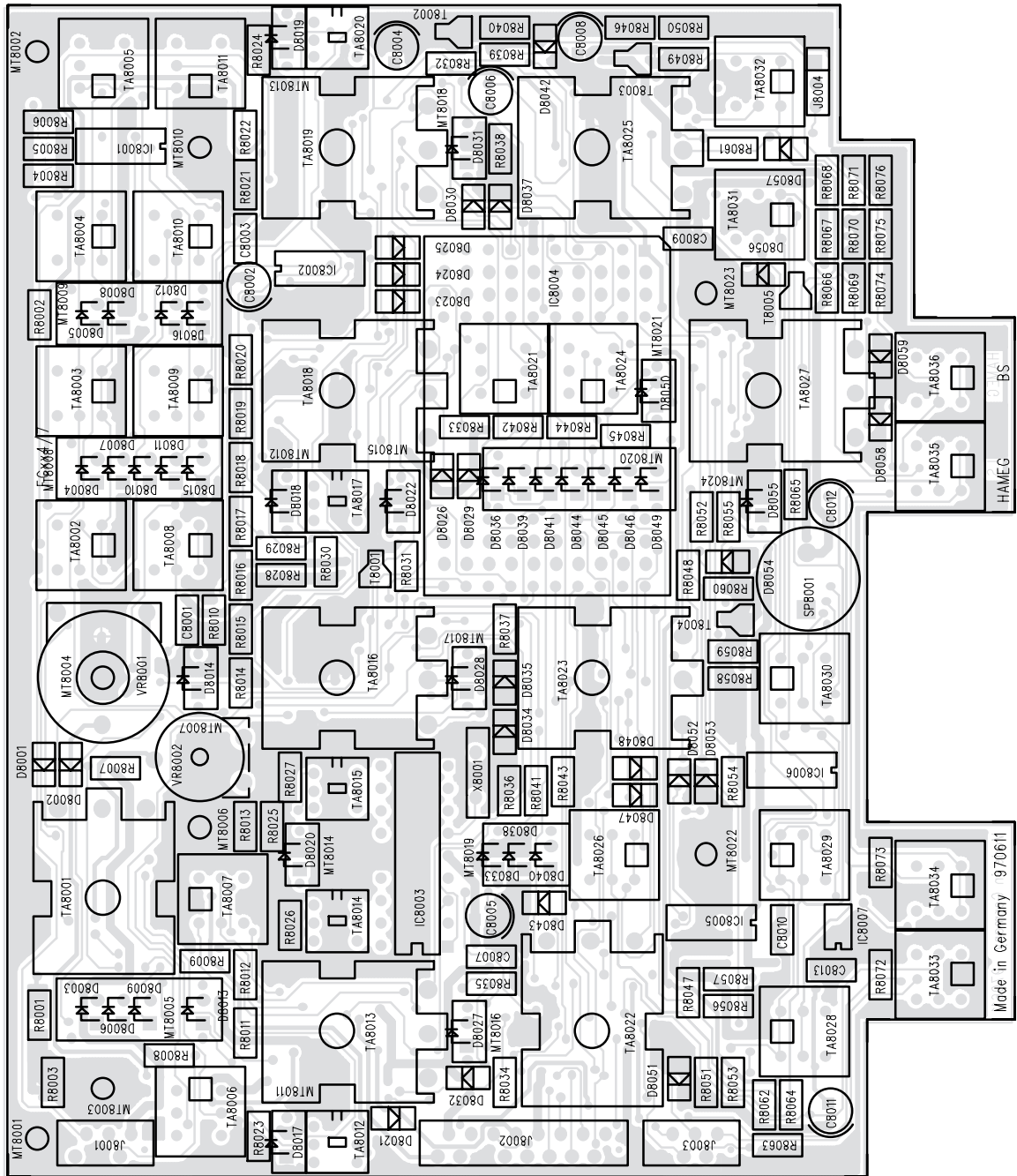
Datum: 04.07.1997

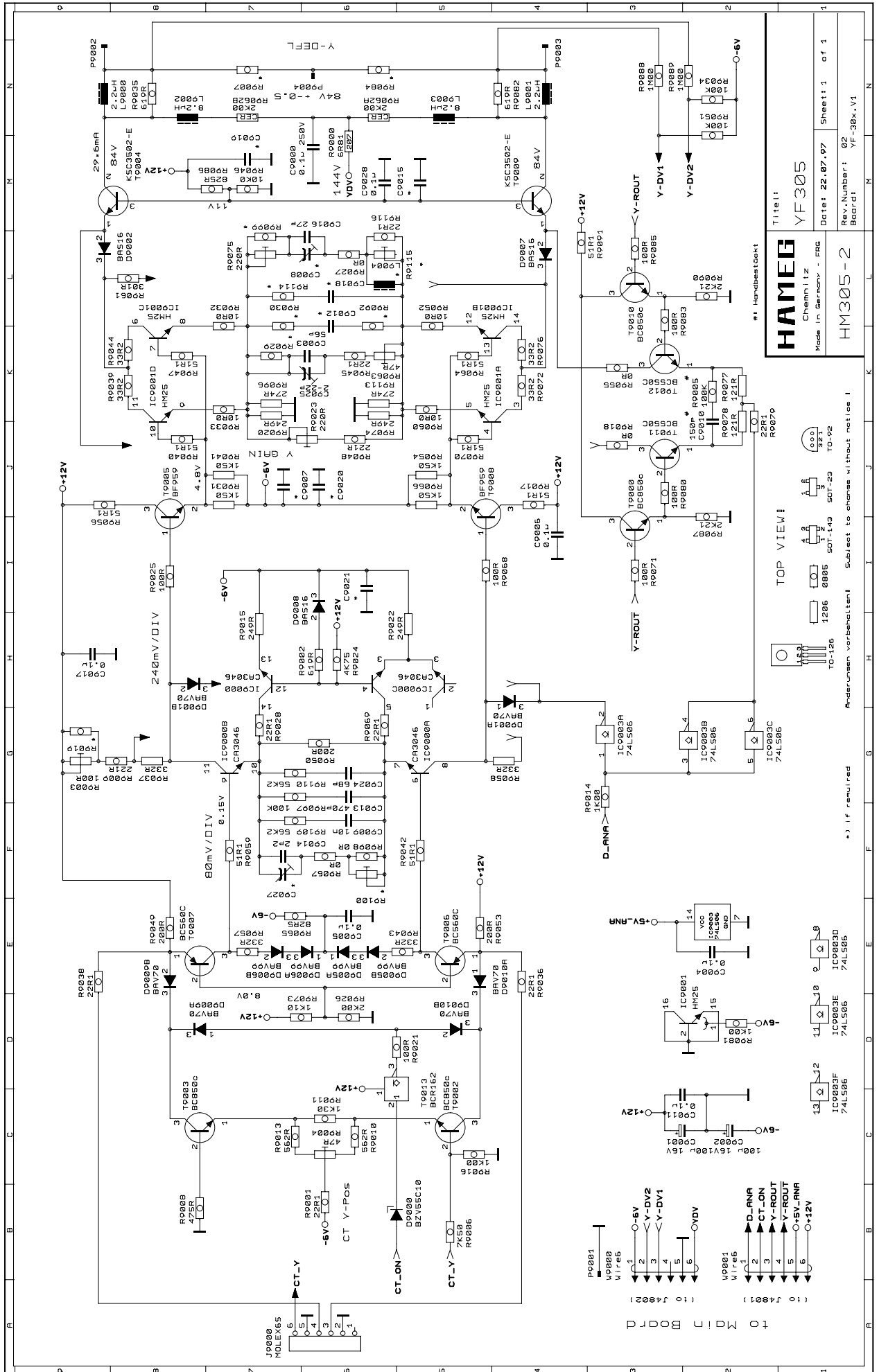
Blatt 2 of 2

von Grebenstein

LED_0 = L-383
CA = 100nF/63V
CB = 10uF/16V

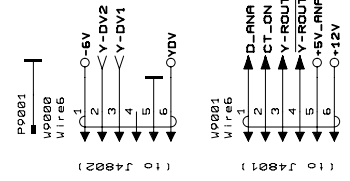




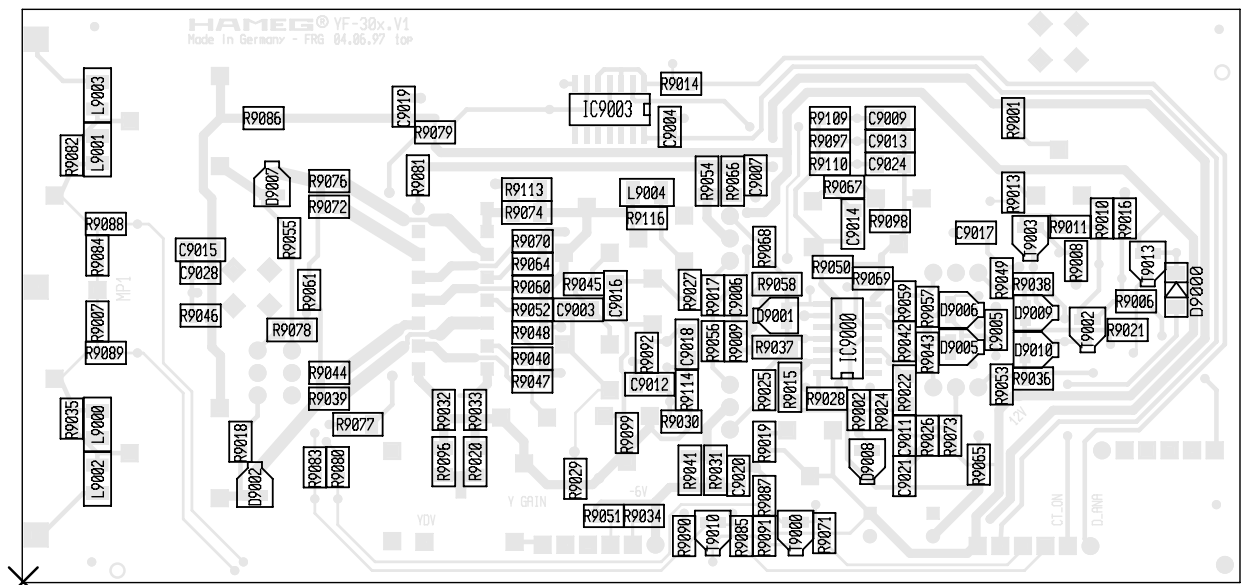
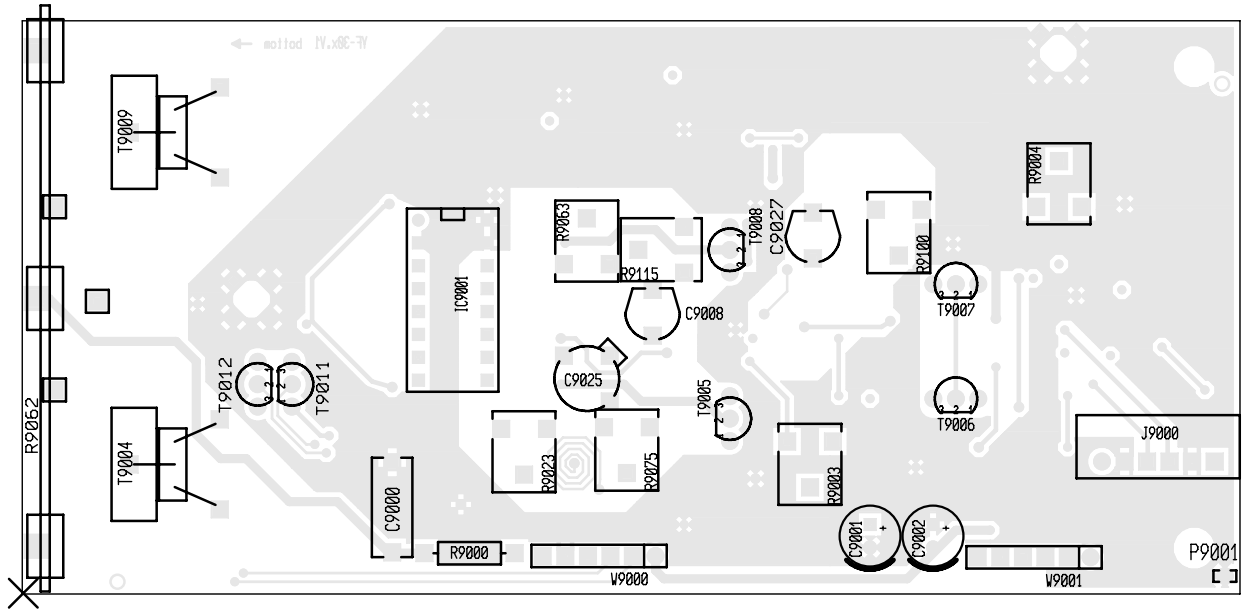


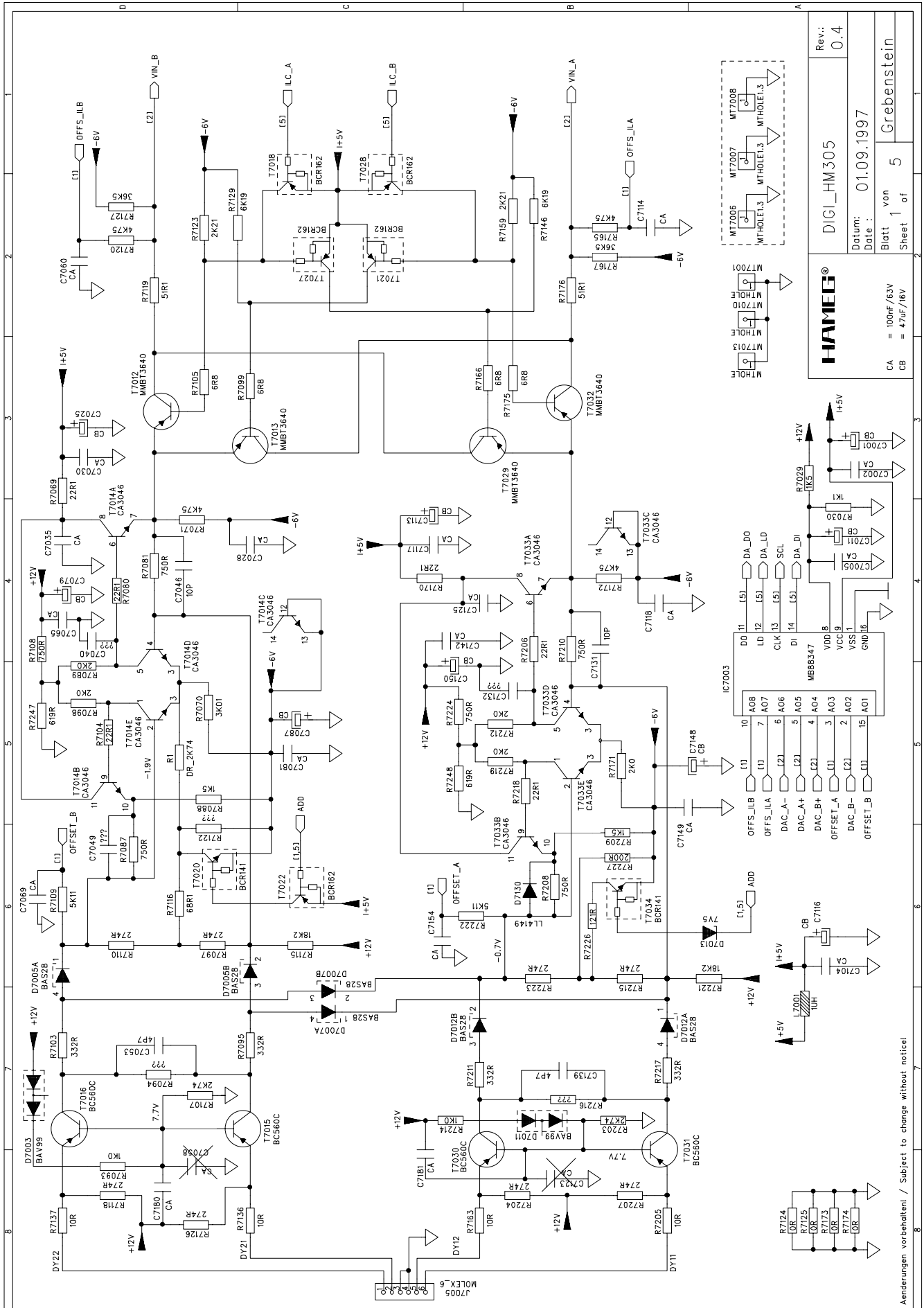
HAMEG
 Chemnitz
 Made in Germany - FRG
 Title: YF305
 Date: 22.07.97 Sheet: 1 of 1
 Rev. Number: 02 YF-305-V1
 Board: HM305-2

TOP VIEW!
 TO-126
 1286 0805 SOT-143 SOT-23 TO-92
 #1 Handbesteck
 R0979



Anderungen vorbehalten! Subject to changes without notice!





HAMEG

Rev.: 0.4

Datum: 01.09.1997

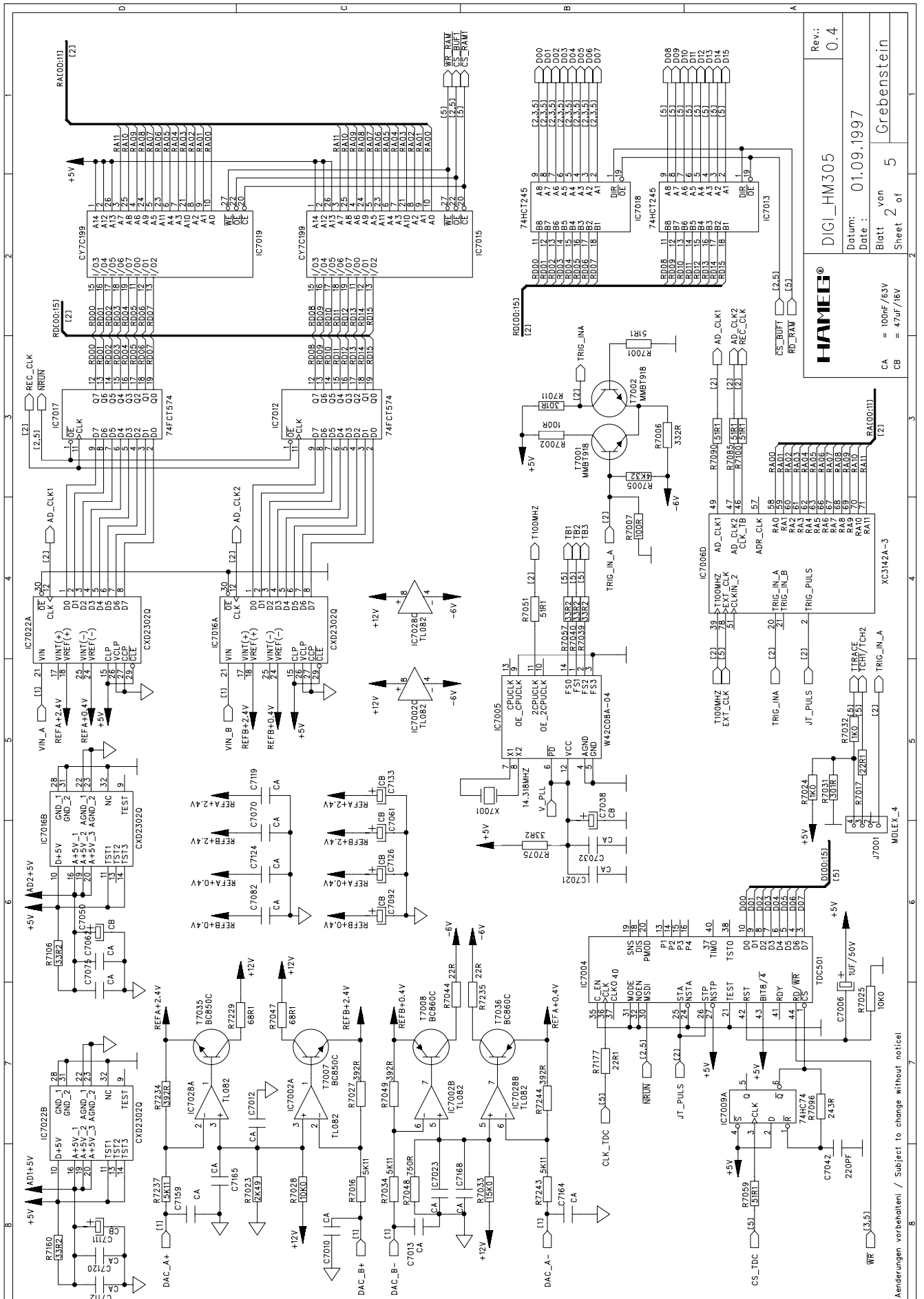
Blatt 1 von 5

Sheet 1 of 5

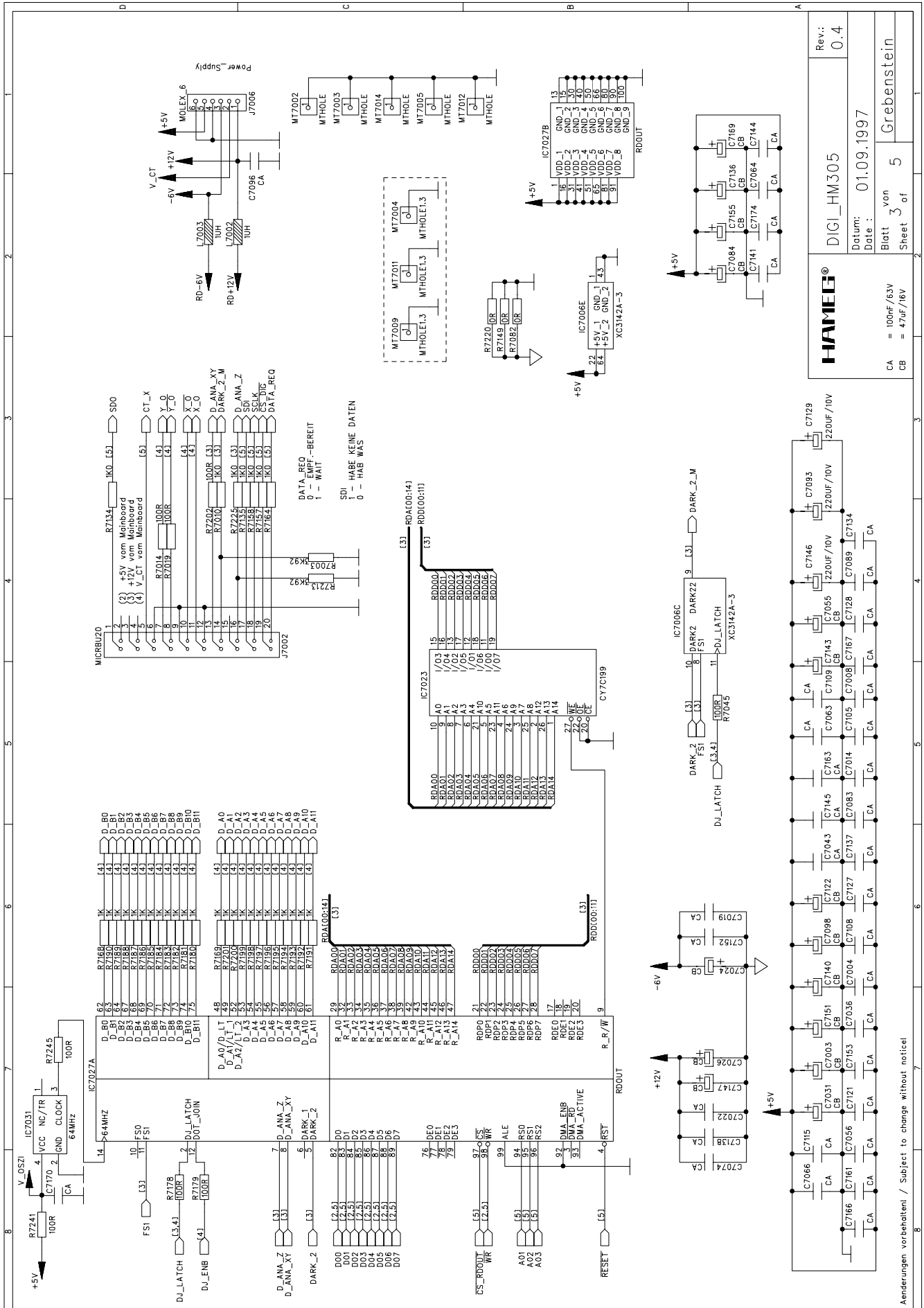
Grebenstein

CA = 100nF/63V
CB = 47uF/16V

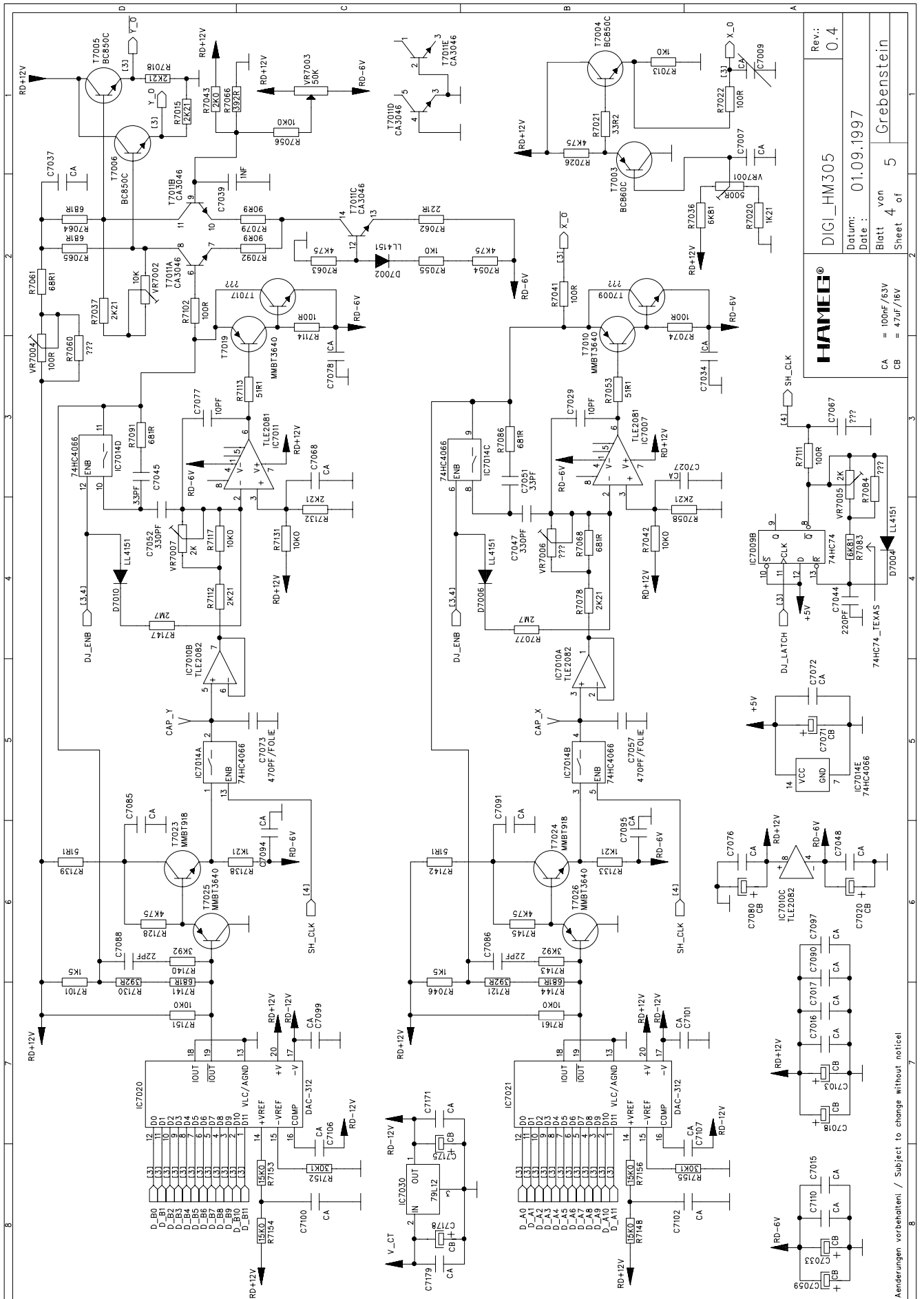
Anderungen vorbehalten / Subject to change without notice



HAMEL®
 DIGI_HM305
 Rev.: 0.4
 Datum: 01.09.1997
 Date: 01.09.1997
 Blatt 2 of 5
 von Grebenstein
 CA = 100uf/63v
 CB = 47uf/16v



HAMEL®
 DIGI_HM305
 Rev.: 0.4
 Datum: 01.09.1997
 Blatt 3 von 5
 Sheet 3 of 5
 Grebenstein
 CA = 100µF/63V
 CB = 47µF/16V



HAMEL®

DIGI_HM305

Rev.: 0.4

Datum: 01.09.1997

Date: 01.09.1997

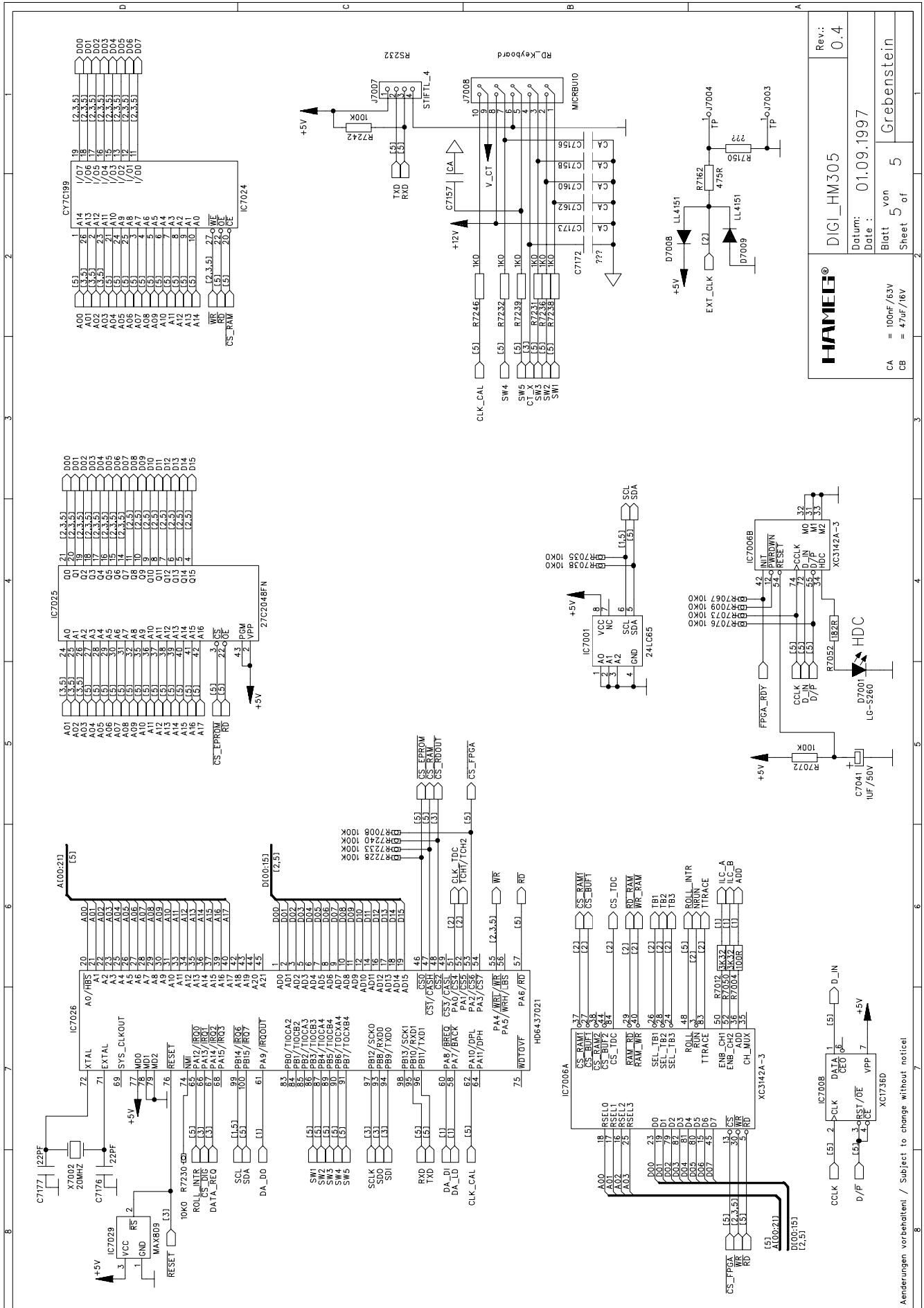
Blatt 4 of 5

von Grebenstein

Sheet 4 of 5

CA = 100nF/63V

CB = 47uF/16V



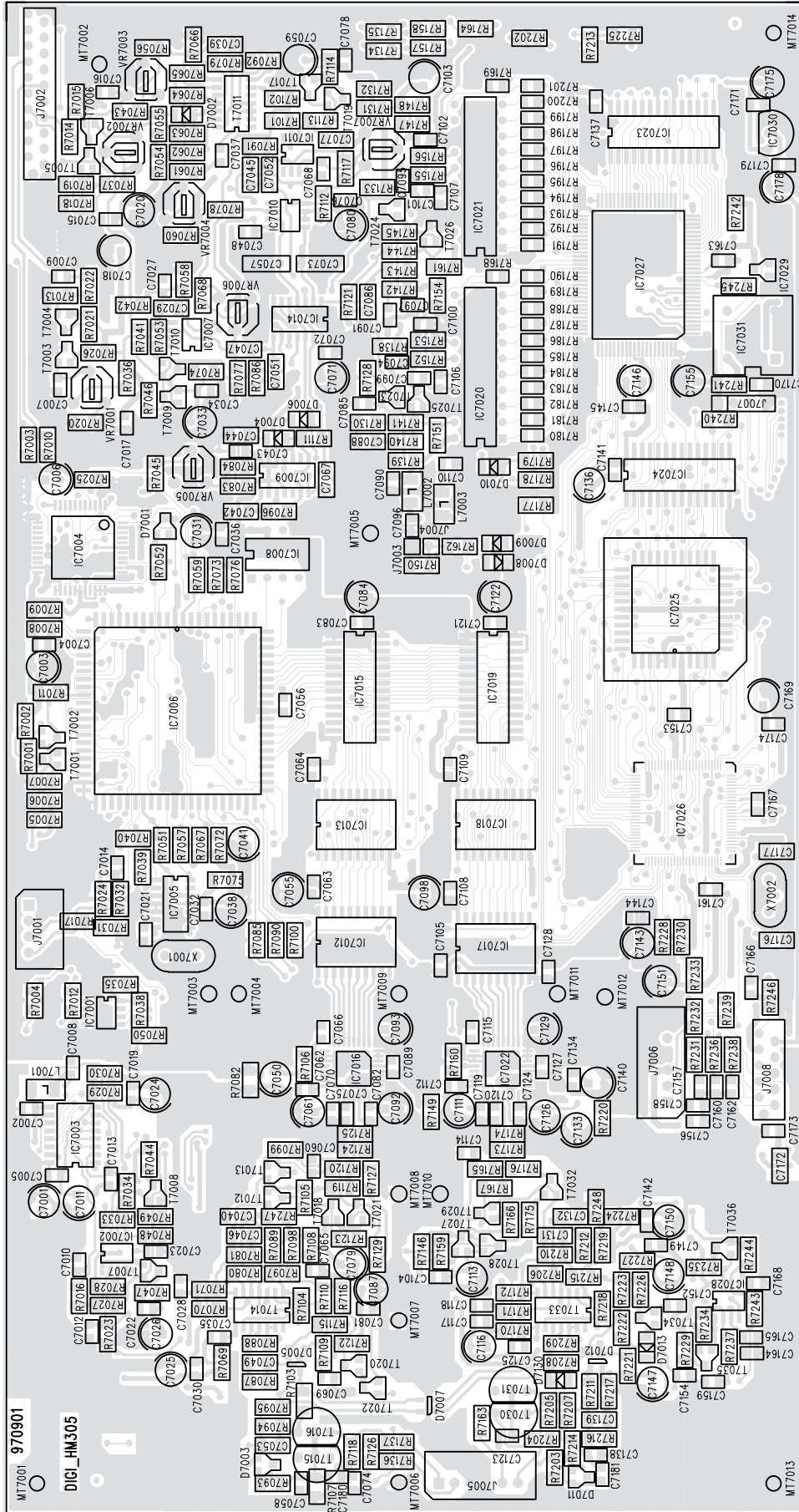
HAMEL®
 DIGI_HM305
 Rev.: 0.4
 Datum: 01.09.1997
 Blatt 5 von 5
 Grebenstein
 CA = 100nF/63V
 CB = 47uF/16V

Anderungen vorbehalten / Subject to change without notice

DIGI_HM305 970901

Stand: 01.09.1997

5.5 / 113

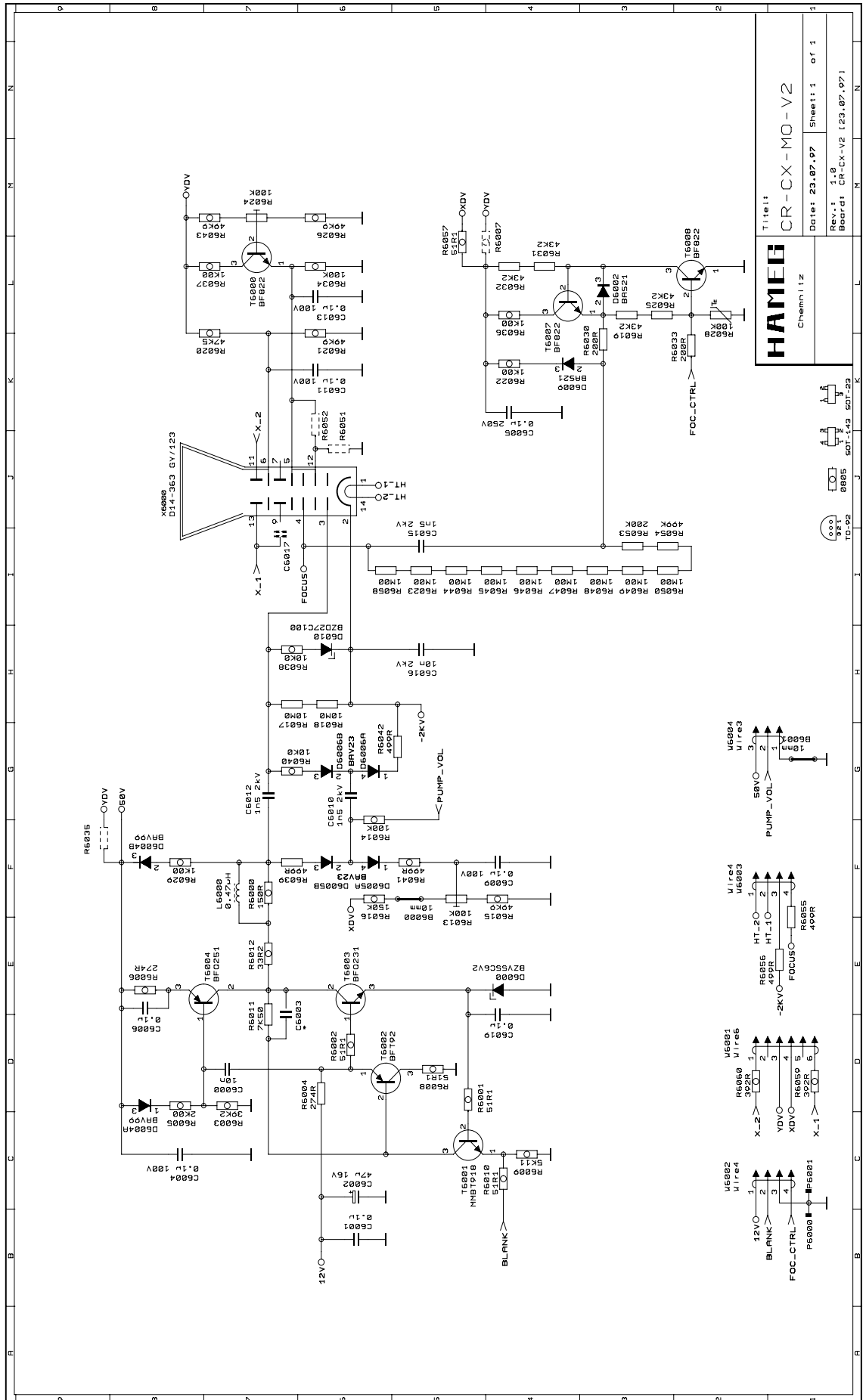


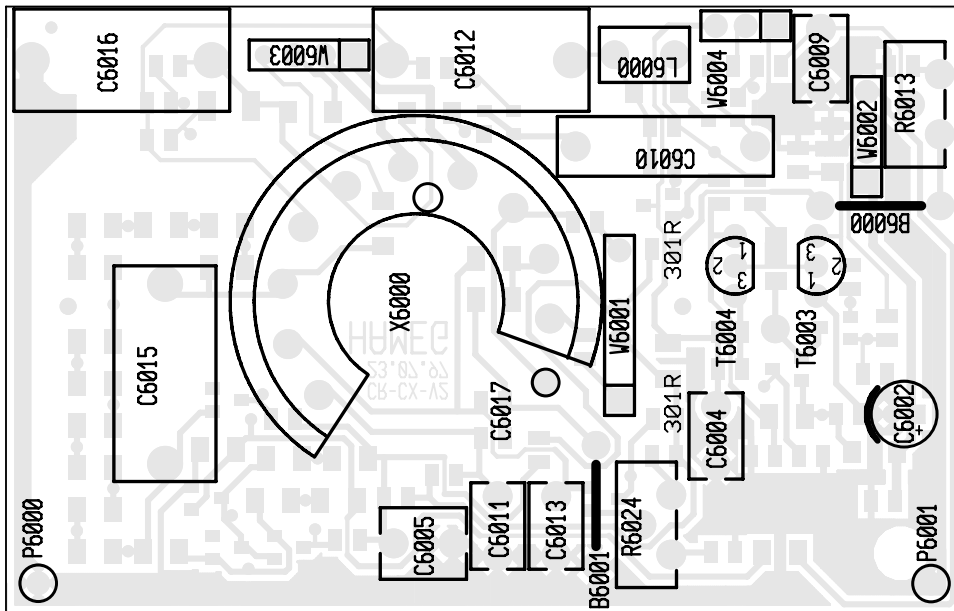
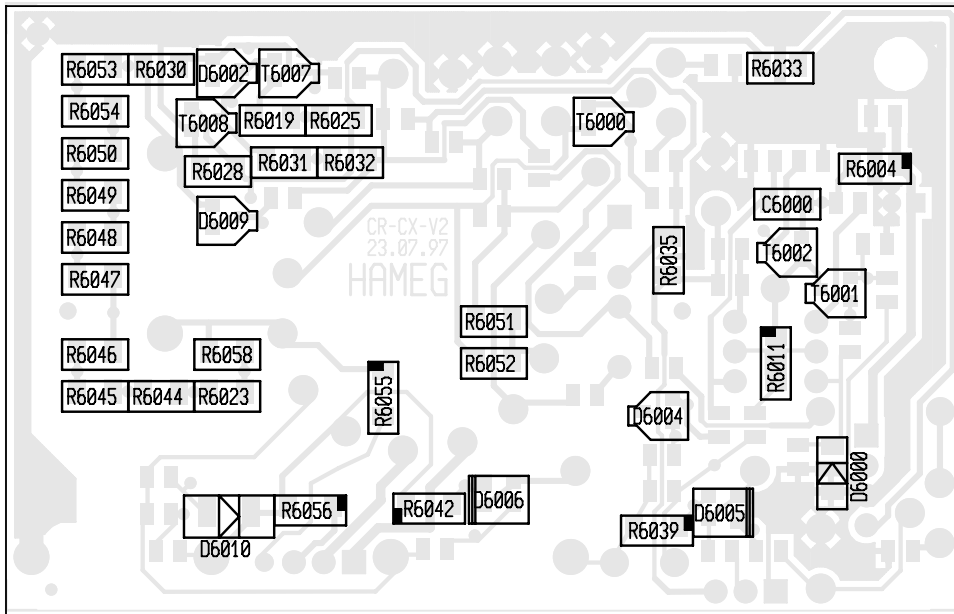
238.5 / 11

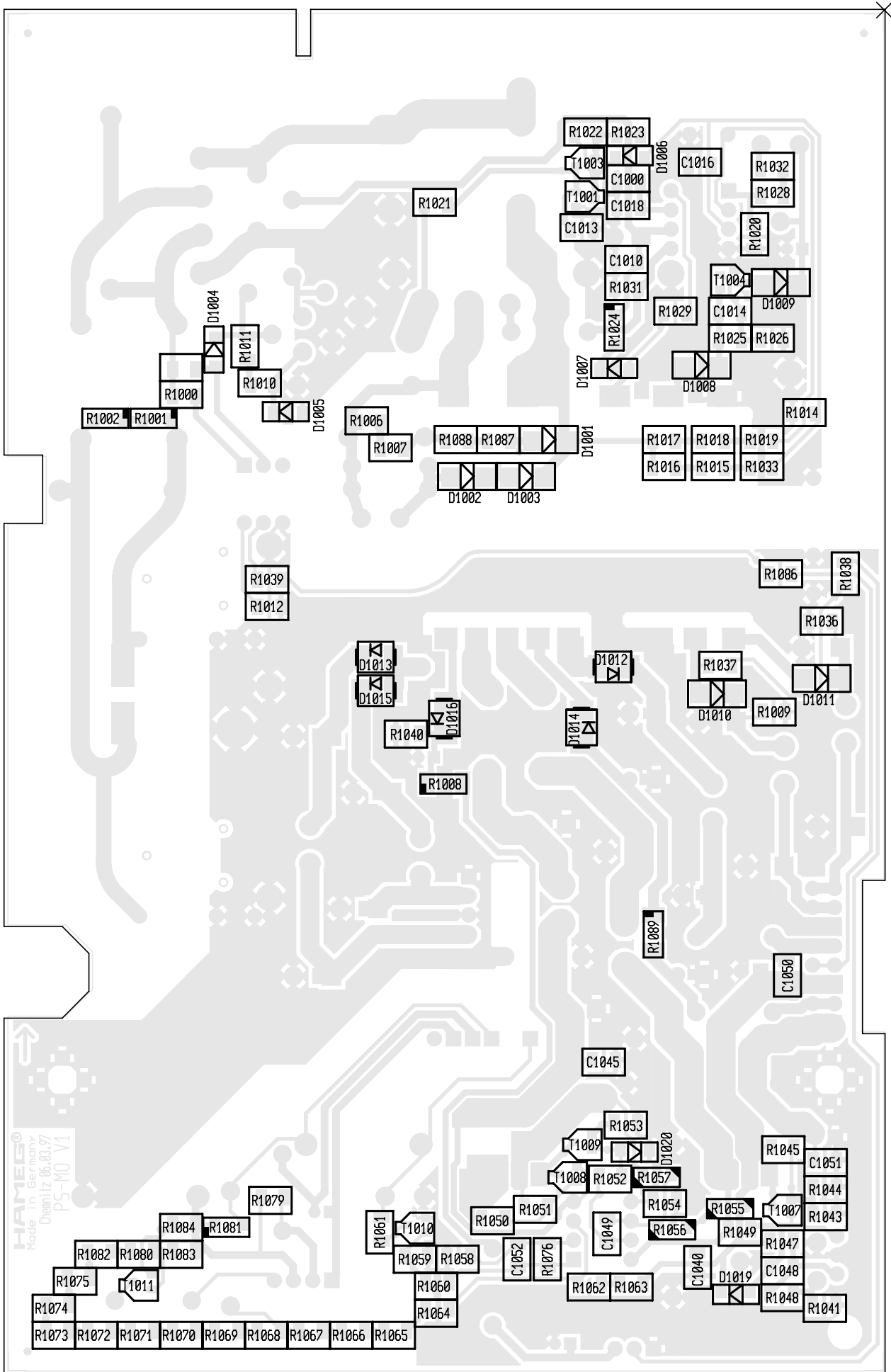
173.0 / 39.0

119.5 / 44.5

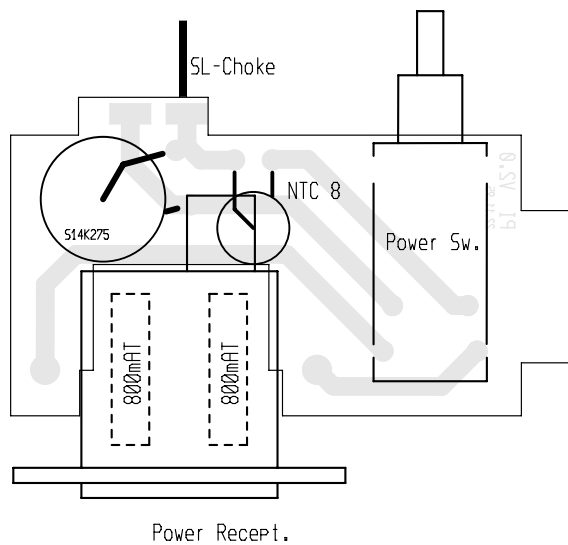
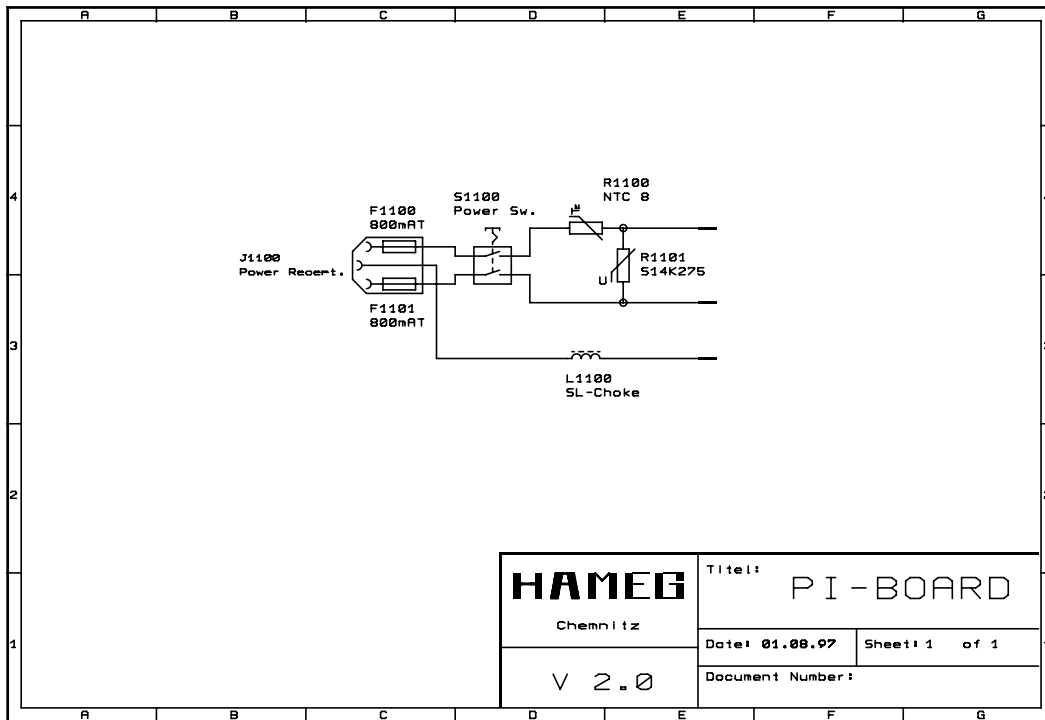
99.0 / 4.3

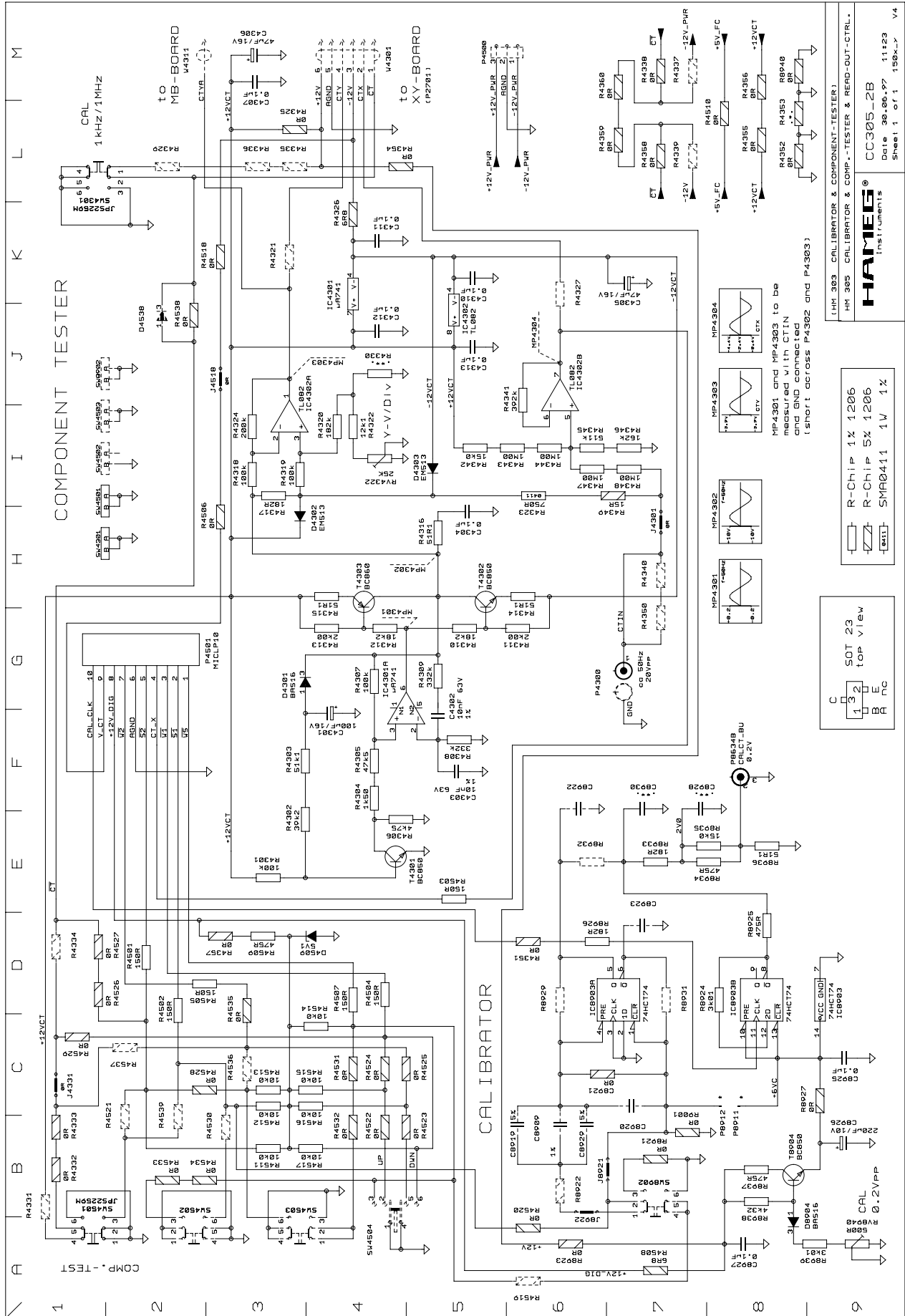






PI-Board Diagram & Layout (Top and Bottom side)



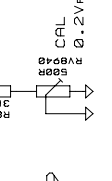
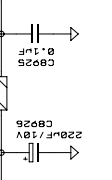
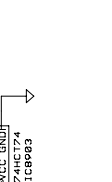
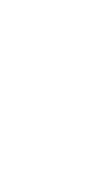
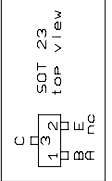
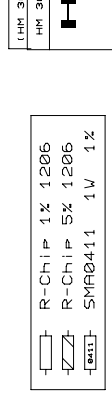
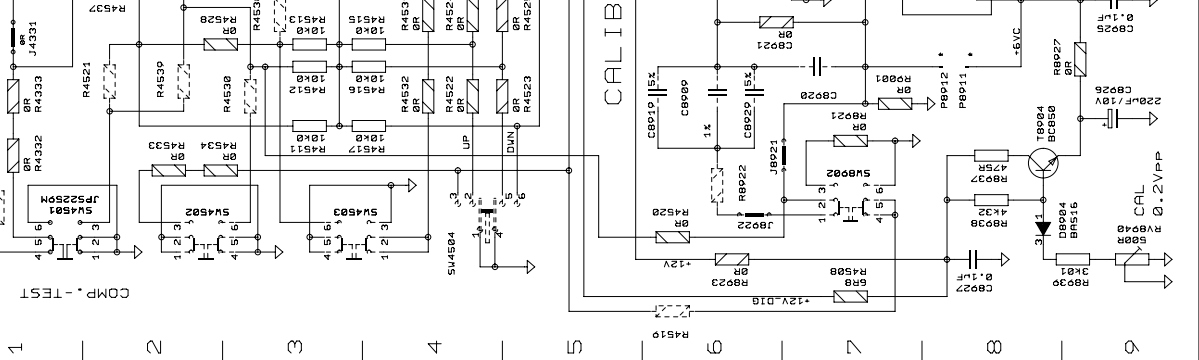
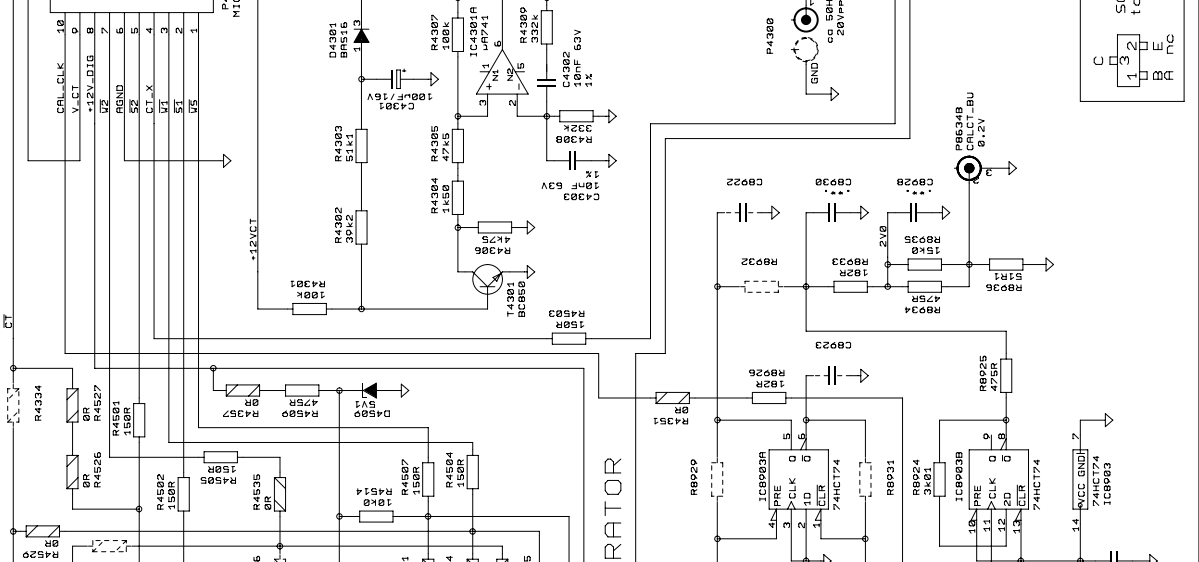
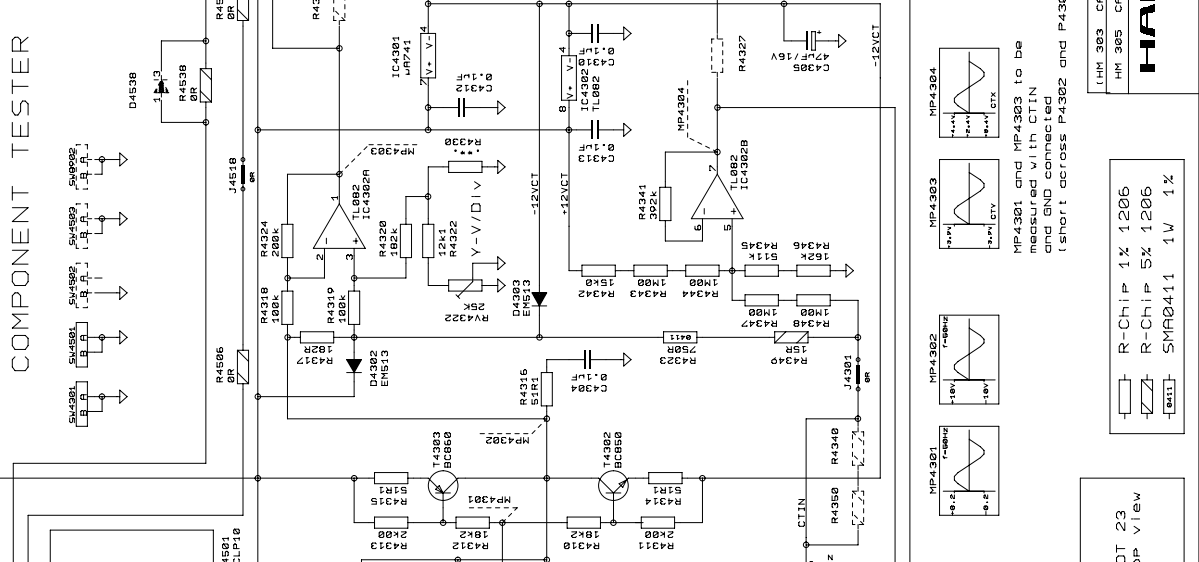
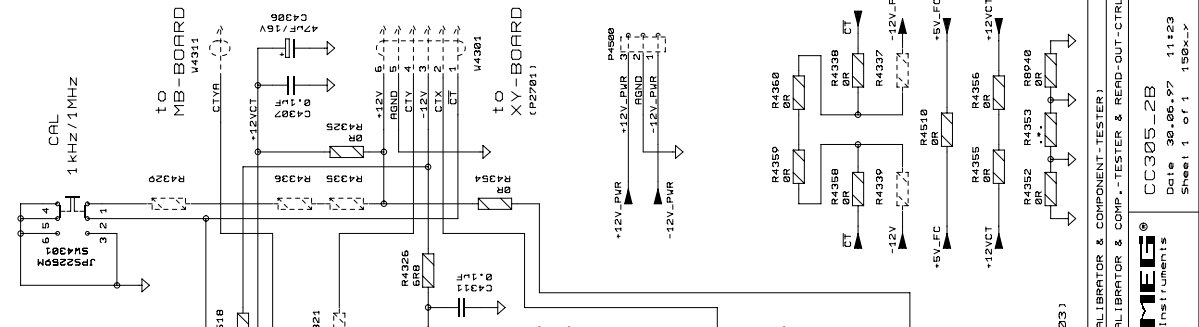


COMPONENT TESTER

CALIBRATOR

1 2 3 4 5 6 7 8 9 0

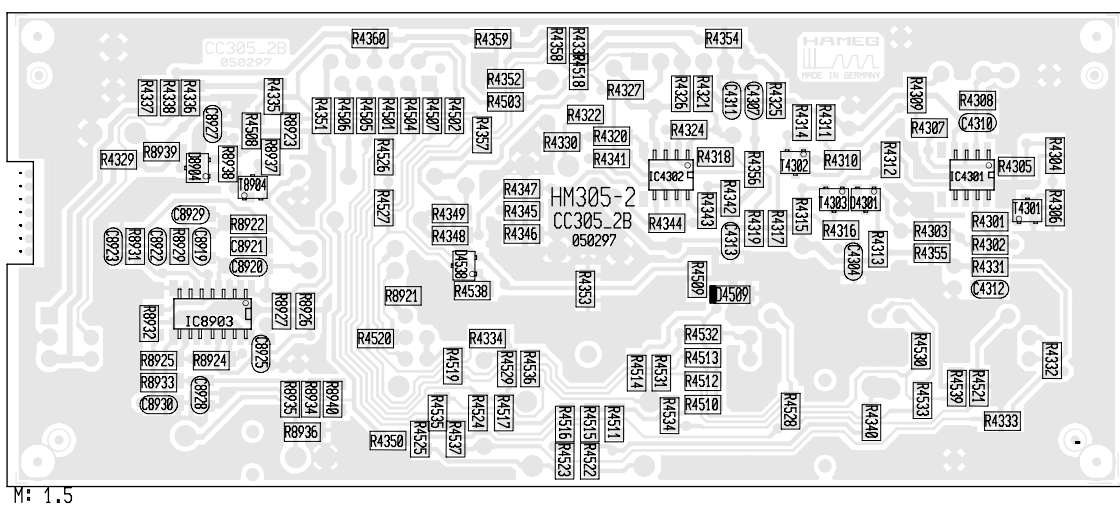
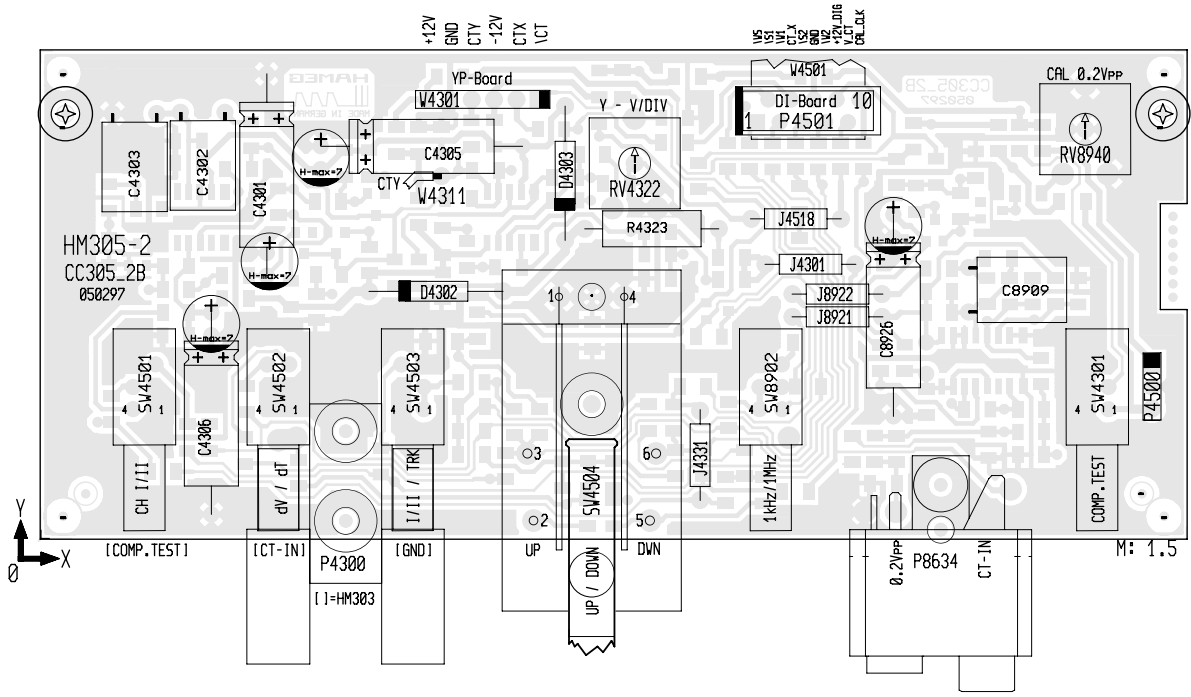
A B C D E F G H I J K L M

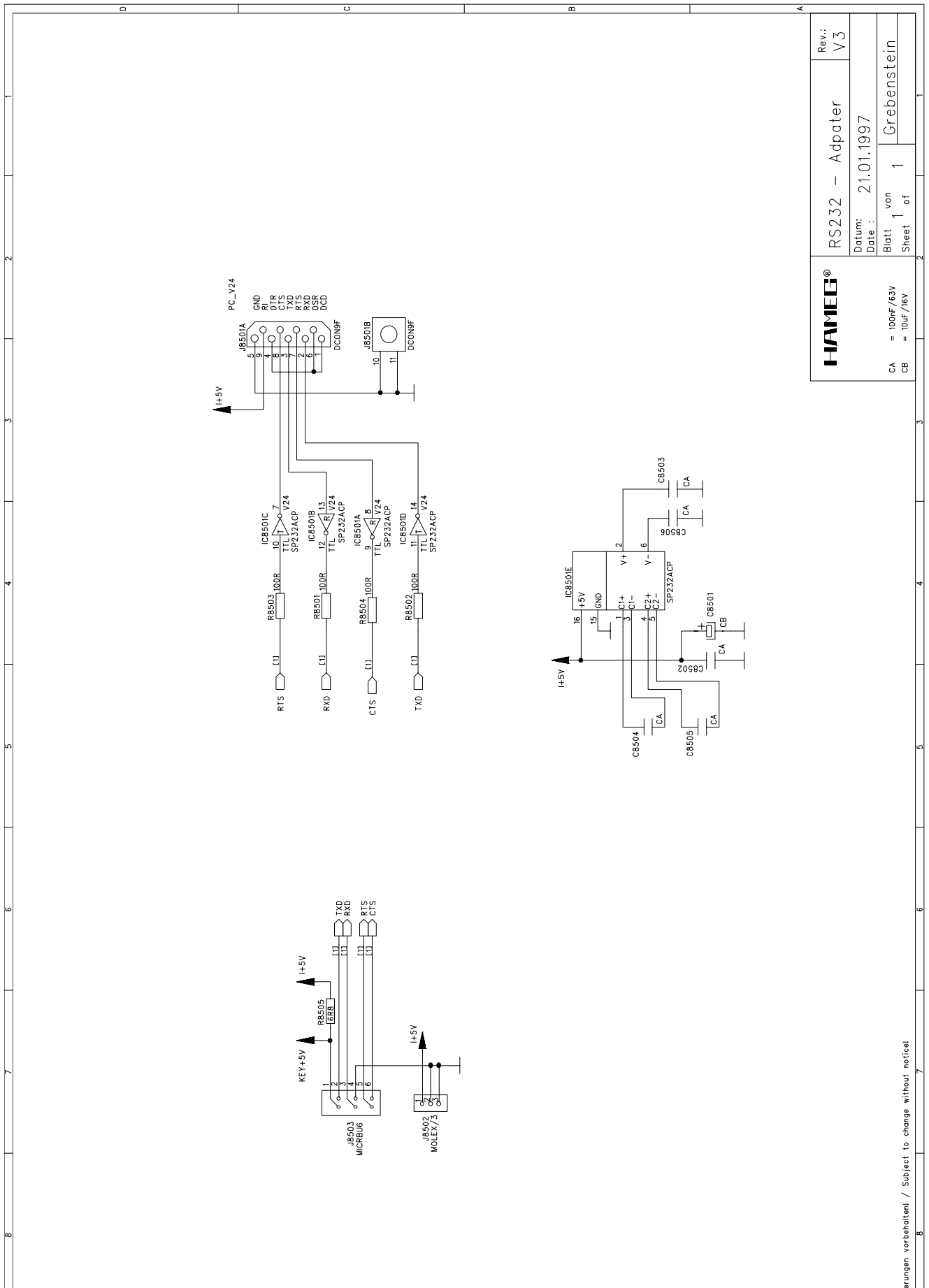


MP4301 and MP4303 to be measured with CTIN and GND connected (short across P4302 and P4303)

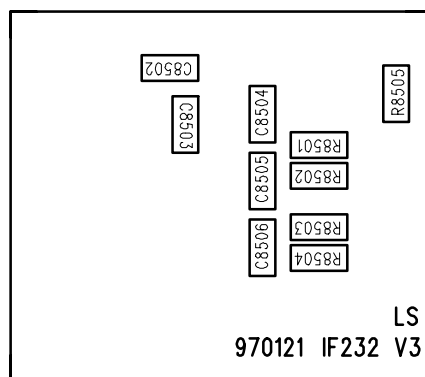
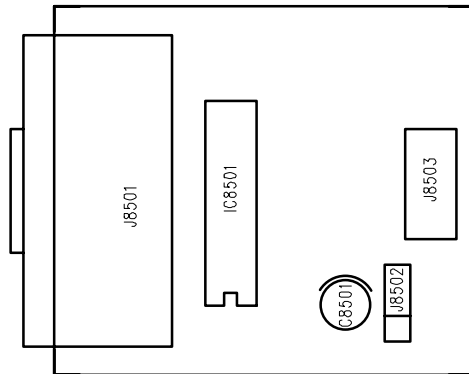
UHR 303 CALIBRATOR & COMPONENT-TESTER!
 UHR 305 CALIBRATOR & COMP.-TESTER & REAR-OUT-CTRL-
HAMEG
 Instruments
 CC305-2B
 Date 30.06.97 11:23
 Sheet 1 of 1 150x... V4

CT-Board Layout (Top and Bottom side)





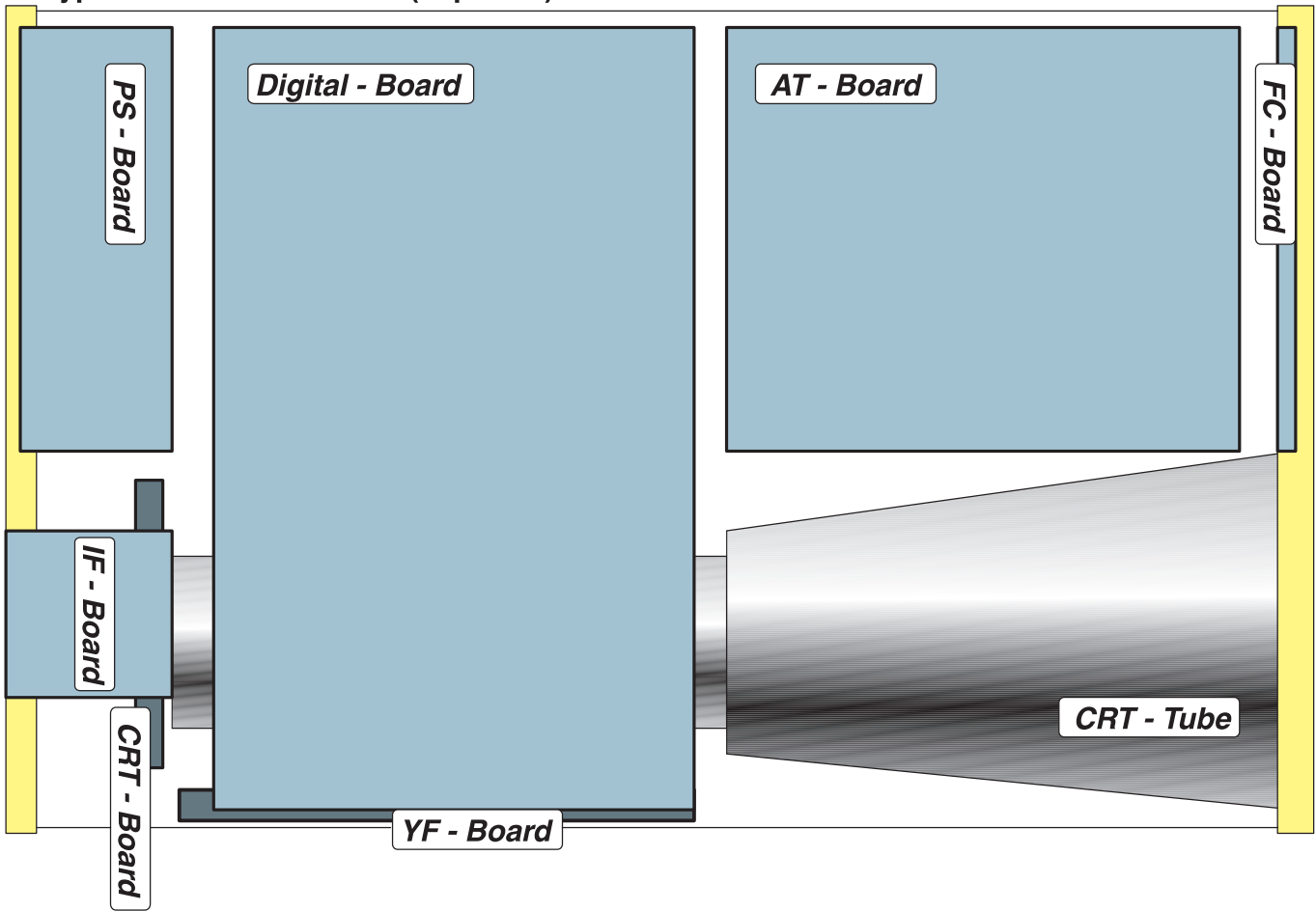
HAMEG®		RS232 – Adpater	Rev.: V3
Datum: 21.01.1997		Blatt 1 von 1	
Date: 21.01.1997		Sheet 1 of 1	
CA = 100nF/63V		Grebenstein	
CB = 10uF/16V			



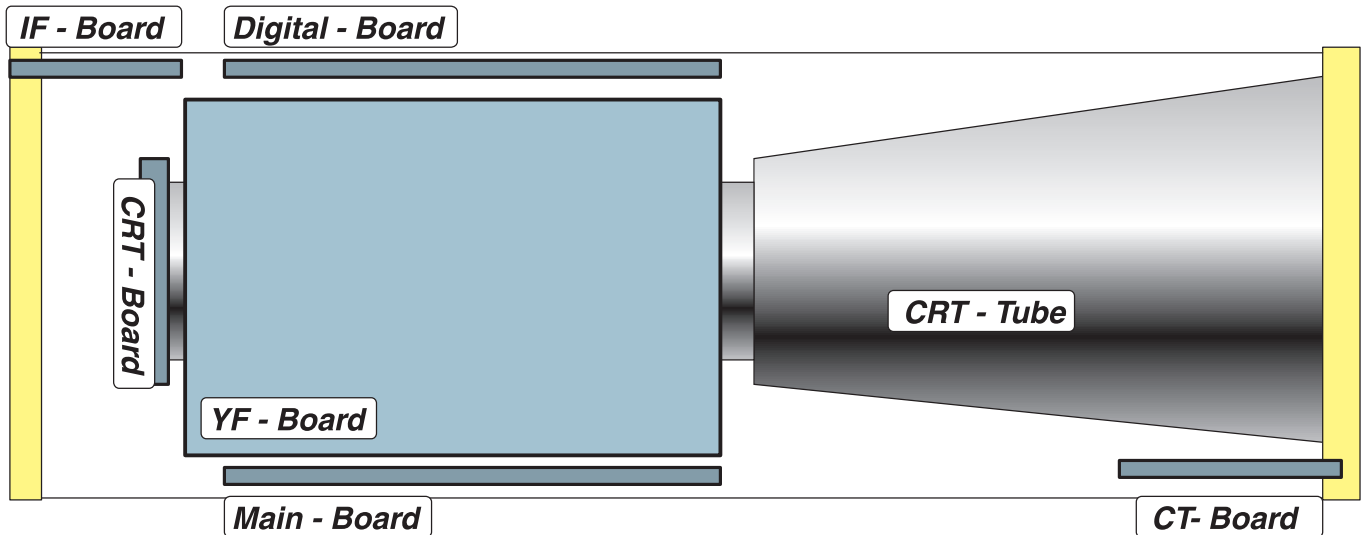


Board allocation (Bottom view)	38
Board allocation (Top view)	39
Adjustment Procedure HM305-2	40
1) R1027: +146 Volt supply.	42
2) R1046: +12 Volt supply.	42
3) R6013: CRT minimum intensity.	43
4) R9003: Analog Mean Y-Plate Voltage.	43
5) VR7004: Digital Mean Y-Plate Voltage.	43
6) R6024: Astigmatism correction.	47
7) R5014: Automatic Focus.	47
8) C6003 (wire): Beam Diameter in Sweep Start Position.	47
9) R4430: Sweep Start Position.	47
10) R4086: X-Gain x1.	47
11) R2200: 100Hz Square Wave at 5mV/div CH II.	49
12) R2202: 100Hz Square Wave at 1mV/div CH II.	49
13) R2000: 100Hz Square Wave at 5mV/div CH I.	49
14) R2002: 100Hz Square Wave at 1mV/div CH I.	49
15) R9023: Y Gain CH I and CH II.	49
16) VR7002 (A), VR7003 (B), VR7001 (C), R4851 (D): Readout Position.	51
17) VR7005: Dot Join Sample & Hold.	53
18) VR7007: Dot Join Y Time Constant.	53
19) Y-Amplifier.	53
20) Trigger Amplifier.	54
21) Analog Time Base Adjustment and Check.	54
Time base accuracy check.	54
Time base adjustment.	54
22) R4840: X-Magnification x10.	55
23) X-Gain in XY Mode.	56
24) X-Position.	57
25) C4809, C4810: X-Deflection Linearity.	59
26) C9025 (A), R9063 (B), R9075 (C): Y-Final Amplifier Adjustment / Bandwidth Check.	59
Y-Amplifier Bandwidth Check.	59
27) C2009 (A), C2013 (B), C2007 (C), C2012 (D): Attenuator Compensation CH I.	59
28) C2209 (A), C2213 (B), C2207 (C), C2212 (D): Attenuator Compensation CH II.	61
29) VR8940: Calibrator Output.	61
30) R9004, RV4322: Component Tester Position.	61
31) Store Amplifier.	61
32) Trigger Filter Check.	62
33) Trigger Bandwidth Check.	62
34) External Trigger Check.	62

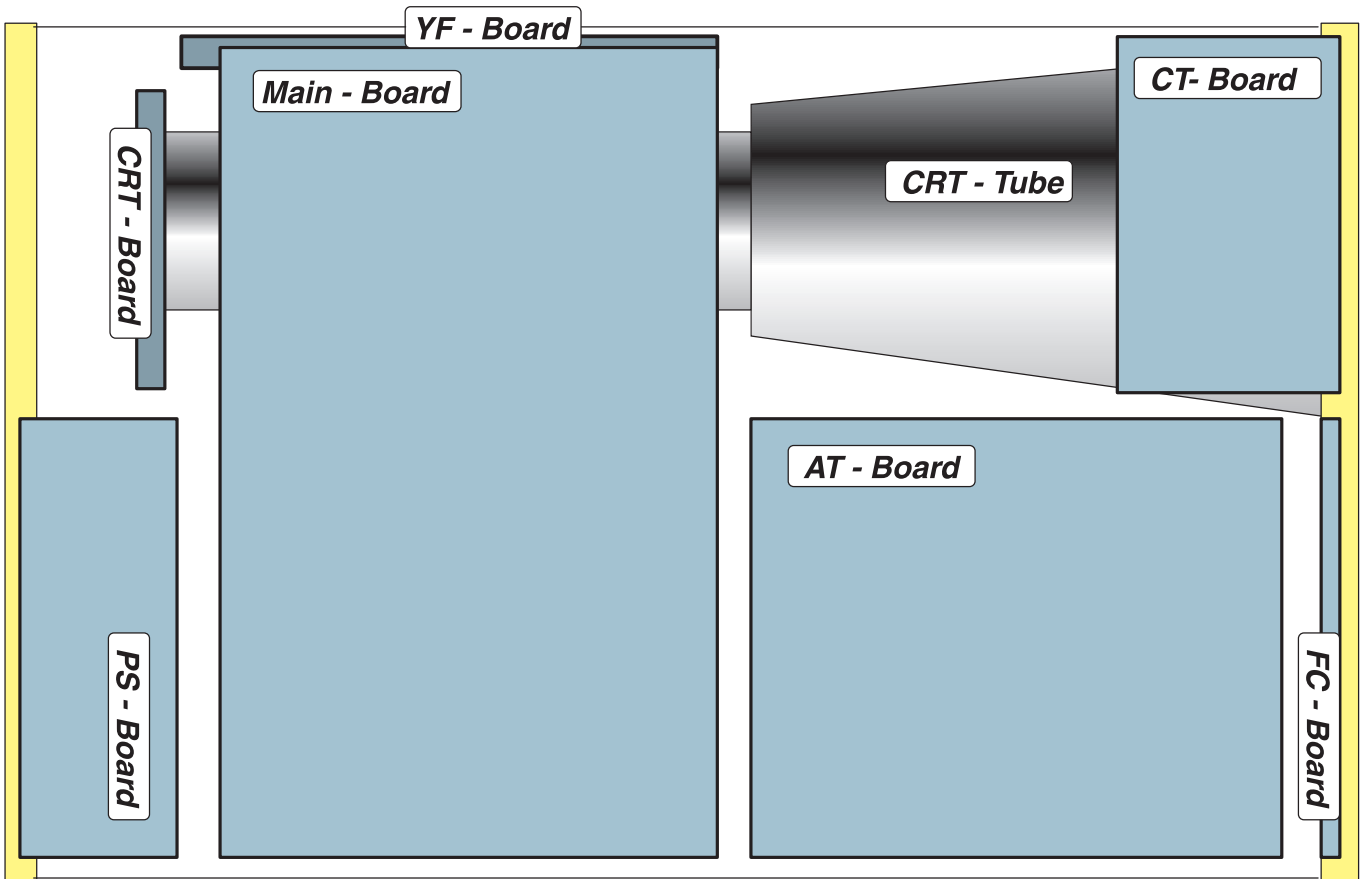
Typical boards allocation (Top view)



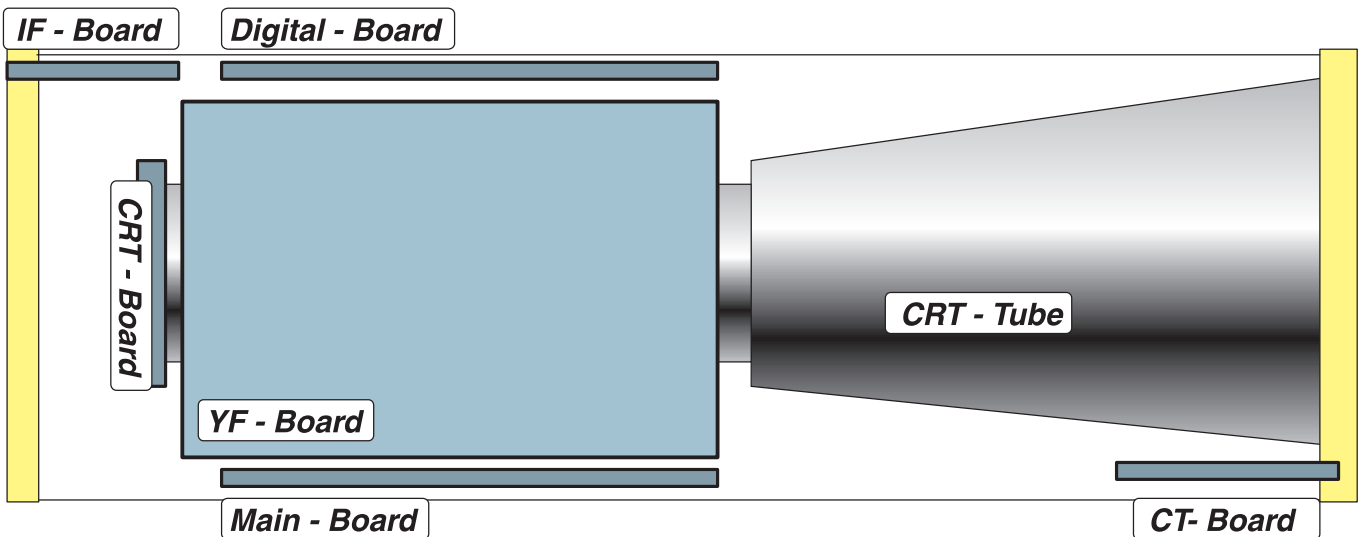
Typical boards allocation (Back side)



Typical boards allocation (Bottom view)



Typical boards allocation (Back side)



ADJUSTMENT PROCEDURE

Analog/Digital Scope HM305-2

WARNING

The Instrument must be disconnected from the mains power supply whenever you open the case, repair or exchange parts.

HIGH VOLTAGE WARNING!

Hazardous High Voltage of up to 2,000 Volts is present inside this Instrument. The areas particularly affected by High Voltage are the high voltage circuit on the PS-board and the CRT-board.

SERVICE AND ADJUSTMENT

- of this instrument should only be performed in accordance and in conjunction with the operating manual and the WARNINGS contained therein, particularly "Service Instructions" and "Operating Instructions".
- should only be performed by suitable qualified and experienced service personnel, or should be referred to one of the HAMEG companies listed on the rear cover of the manual.

Test Instruments required:

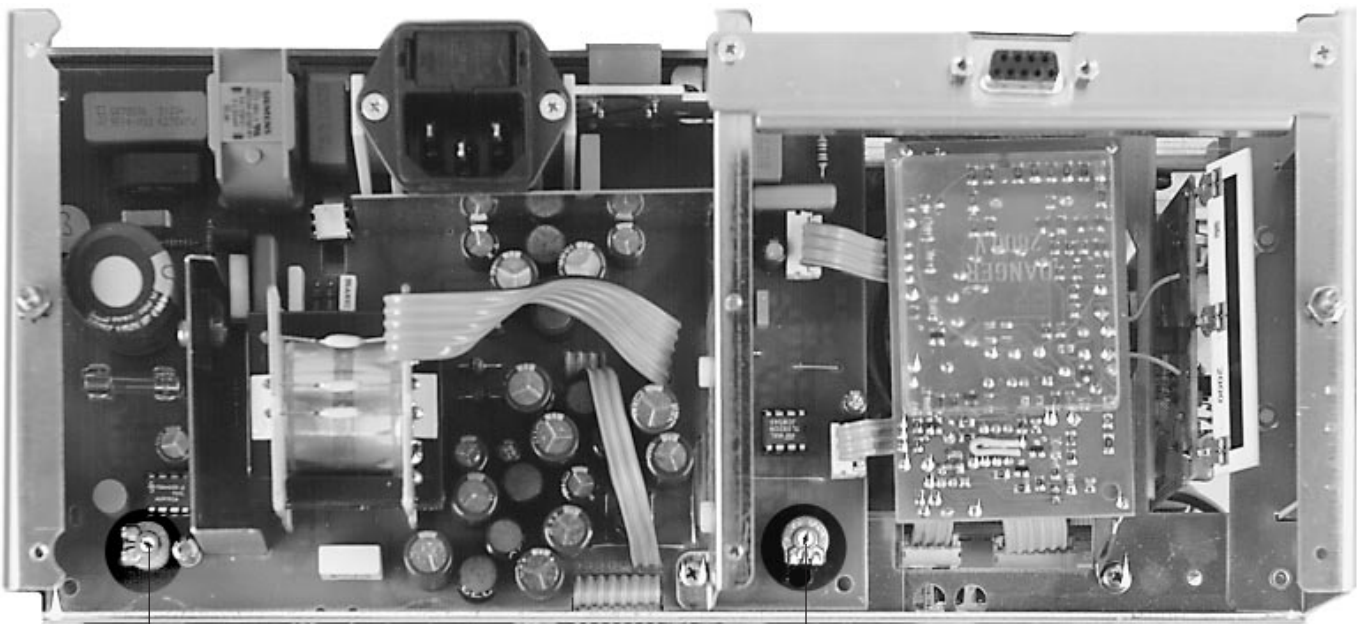
- 1) Scope Tester HZ 60-3.
- 2) Constant amplitude sinewave generator, 20Hz - 250MHz, output 5mV - 5V into 50 Ohm, preferably with 20dB attenuation (e.g. HM 8133, TEK SG502 + TEK SG503).
- 3) Amplitude Calibrator with 1kHz square wave output and 600 Ohm impedance, risetime faster than 150ns. Output voltage 2mV - 20Volts in 1-2-5 sequence for 4 divisions display amplitude (e.g. HZ62, TEK PG506).
- 4) Time mark generator from 5ns/div to 5s/div. Output min. 10mV into 50 Ohm (e.g. HZ62, TEK TG501).
- 5) Pre-attenuator 2:1 (1 M Ohm parallel with 12-48pF), e.g. HZ20.
- 6) 50 Ohm BNC through termination, e.g. HZ22.
- 7) 2 BNC-cables, 50 Ohm, e.g. HZ34.
- 8) BNC-T-connector.
- 9) Oscilloscope probe 10:1, with exactly 9M Ohm series resistance and compensated for test oscilloscope mentioned under 10).
- 10) Oscilloscope 150MHz, 5mV/div to 5V/div, e.g. HM1505.
- 11) Trimming/adjusting tool.
- 12) Variable output safety insulation transformer.
- 13) Video signal generator with positive and negative signal output.

This procedure covers all adjustments and the most important - but not all - performance checks. The correct sequence of all adjustment steps must be strictly followed.

Exact adjustment is only possible when any influence of the earth's' magnetic field has been compensated with the trimmer marked TR (trace rotation).

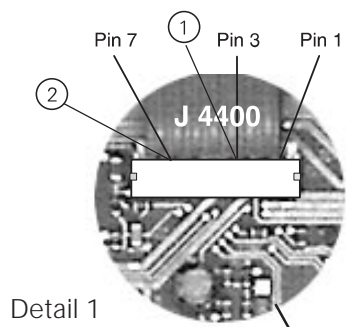
All adjustments should only be performed by qualified and experienced personnel. This is particularly important for adjustments in the high voltage section of the instrument.

PS-Board



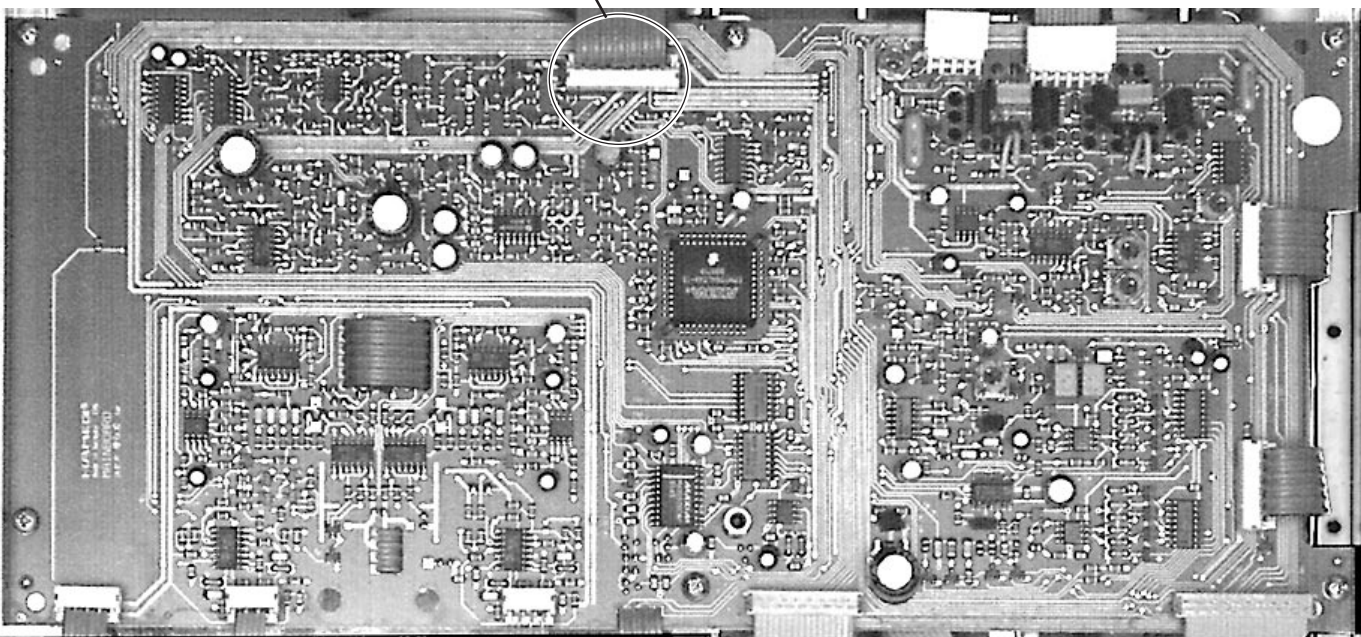
①

②



Detail 1

Main-Board



NOTE

The adjustment procedures assume that the instrument had once been properly adjusted in the factory and adjustments are required due to temperature drift or the replacement of defective components.

Basic settings!

Before starting each adjustment procedure check that no signal is applied at the BNC connectors. Then set the oscilloscope to analog CH I mode. If a falling slope symbol is displayed in the readout, select the rising slope symbol by briefly pressing the NM – AT pushbutton. Briefly press the AUTO SET pushbutton. This causes the following basic settings:

X-Section:

TIME/DIV.	T: 100µs (readout)
TIME VAR.	calibrated detent (VAR-LED dark)
NM - AT (trigger)	Automatic-Trigger (NM LED dark)
TRIG. (coupling)	TRIG. MODE: AC (LED lit)
TRIG. LEVEL	electrical center position (triggerpoint symbol in trace position)
TRIG. (SLOPE)	rising slope symbol (readout)
HOLD OFF	minimum (HO LED dark)
XY	off (XY not displayed in the readout)
X-POS.	electrical center position
X-MAG. x10	off (X-MAG. x10 LED dark)

Y-Section:

CH I	on, 5mV/div, calibrated (VAR LED dark),
CH II	off (deflection coefficient and input coupling not displayed in the readout)
Y-POS II	electrical center position

Readout: ON

The following conditions must be set manually:

Select DC input coupling (readout: CH1: 5mV=) if not present.

Set CALIBRATOR signal to 1 kHz.

Adjust the baseline exactly parallel to the horizontal center line of the graticule, by using the trimmpot marked "TR" on the front panel

Preparations regarding CH II:

Briefly press the CH II pushbutton and select:

5mV/div deflection coefficient, calibrated (VAR LED dark).

DC input coupling.

INV. (invert) off.

Set trace to the electrical center position by Y-POS II.

Note:

If different settings are required, they are mentioned particularly for each subject.

1) R1027: +146 Volt supply.

WARNING: To avoid damage use a fully insulated screwdriver!

-Locate and identify R1027 (1) on PS-Board (screened section).

-Locate connector J4400 (8pole Molex) on MB-Board and identify pin 7.

-Adjust R1027 (1) for exactly +146 Volts (± 0.1 Volt) at J4400 pin 7 with respect to chassis.

2) R1046: +12 Volt supply.

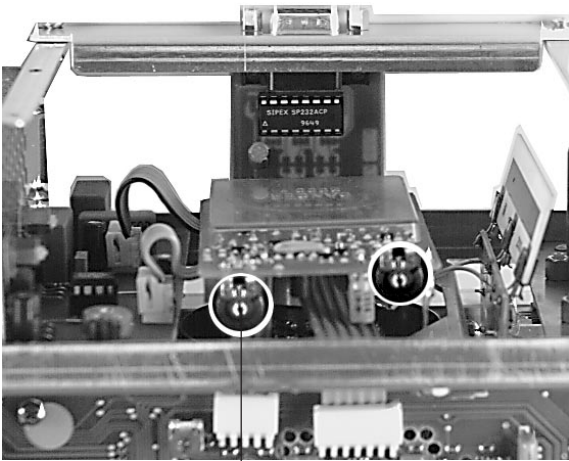
-Locate and identify R1046 (2) on PS-Board.

-Locate connector J4400 (8 pole Molex) on MB-Board and identify pin 3.

-Adjust R1046 (2) for exactly +12 Volts (± 10 mV) at J4400 pin 3 with respect to chassis.

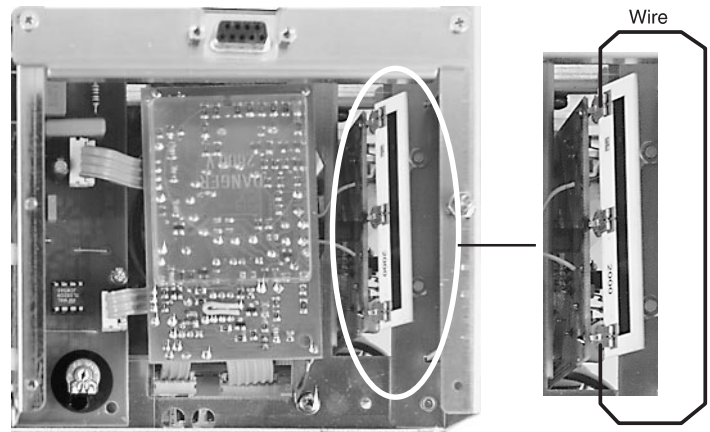
At J4400 the other voltages +175V (pin 8), -6V (pin1), +5V (pin 5) and -2000V on the cathode of the CRT depend on the correct +12 Volt adjustment. All these voltages with higher tolerances must be checked and verified.

CRT-Board



3

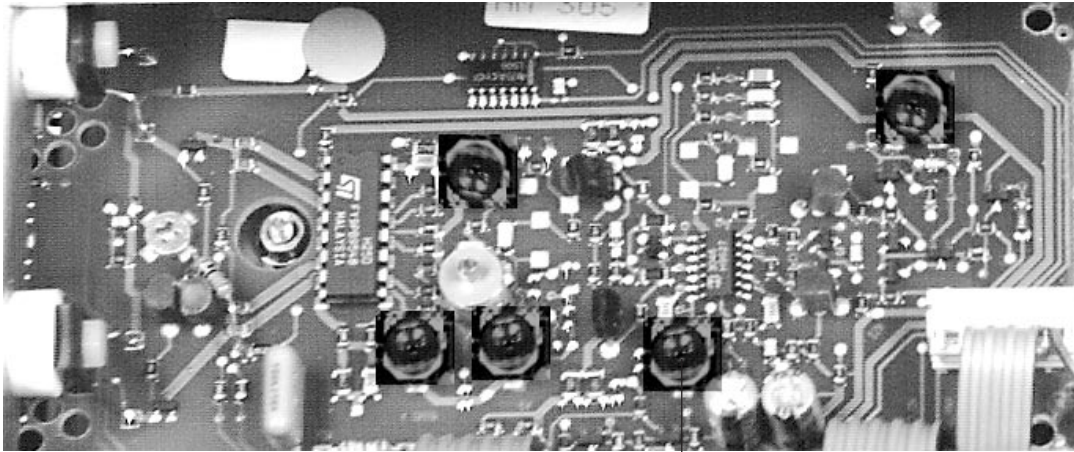
CRT and YF-Board (Oscilloscope rear side)



Detail 2.

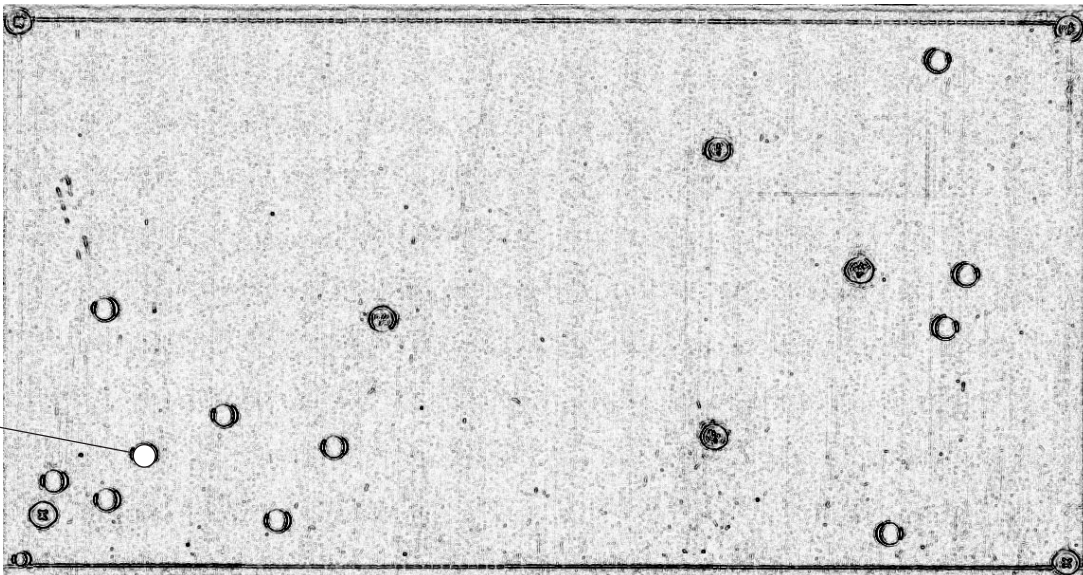
4

YF-Board



4

Digital-Board



5

3) R6013: CRT minimum intensity.

- Locate and identify R6013 (3) on CRT-Board.
- Set INTENS. control to fully left position (beep).
- Press and hold DUAL pushbutton for XY mode (readout: both channel deflection coefficients and XY.)
- The following adjustment should be made under shaded conditions.
- Adjust R6013 (3) so that the dot just disappears.
- Press and hold DUAL pushbutton to revert to the previous operating conditions.

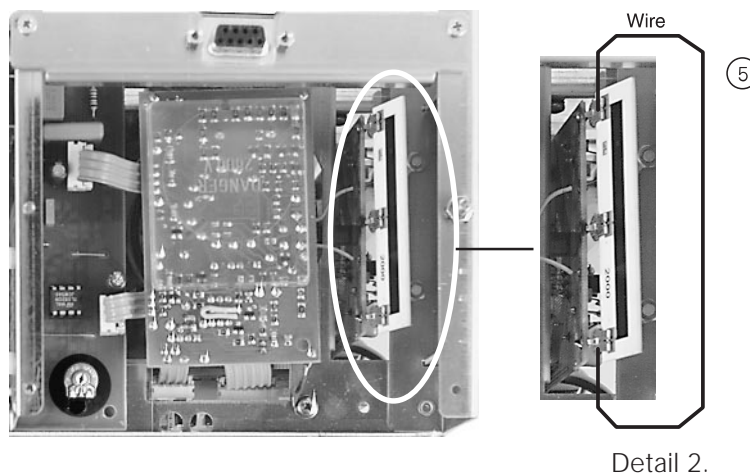
4) R9003: Analog Mean Y-Plate Voltage.

- Check that analog mode is present.
- Set trace to the horizontal center line of the graticule.
- Briefly press channel I GD pushbutton to ground the input (readout: " CH1:ground symbol").
- Release POWER pushbutton (out!).
- Locate and identify R9003 (4) on YF-Board.
- Locate and identify the ceramic (double) resistor R9062 A and B on YF-Board.
- Connect (short circuit) both outer terminals of R9062 by a wire (0 Ohm).
- Press Power pushbutton (on!).
- Wait until a beep signalizes the end of the start procedure.
- Press and hold the READOUT pushbutton to switch the readout off, if the trace shows sections with vertical deflection.
- Adjust R9003 (4) for exactly +84 Volts (± 0.5 Volt) at one of the outside terminals of R9062 with respect to chassis. Please note down the exact value, as it is required in the next adjustment under item 5).
- Continue with 5), without change in operating conditions.

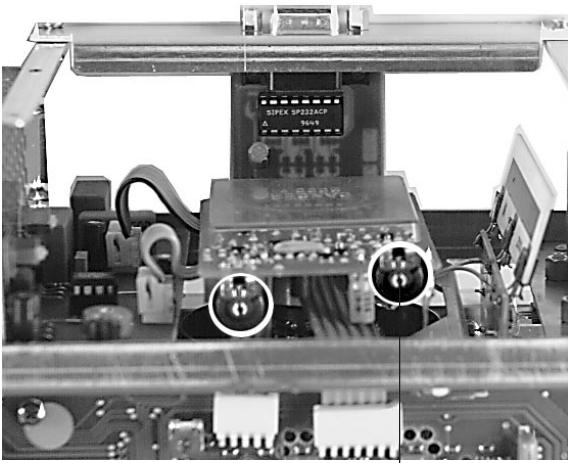
5) VR7004: Digital Mean Y-Plate Voltage.

- Operate as mentioned under item 4).
- Press and hold STOR. MODE – ON/OFF pushbutton for digital mode.
- Briefly press the upper STOR. MODE pushbutton until the RFR-LED is on.
- Locate and identify VR7004 (5) on Digital-Board.
- Adjust VR7004 (5) for exactly the same voltage - as noted down under item 4) - at one of the outer (short circuit) terminals of R9062 with respect to chassis.
- Release POWER pushbutton (out!).
- Remove the short-circuit wire at R9062.
- Press Power pushbutton (on!).
- Press and hold the READOUT pushbutton to switch the readout on.
- Briefly press channel I GD pushbutton to switch from ground condition to DC input coupling (readout: " CH1: 5mV=").
- Press and hold STOR. MODE – ON/OFF pushbutton for analog mode.

CRT and YF-Board (Oscilloscope rear side)

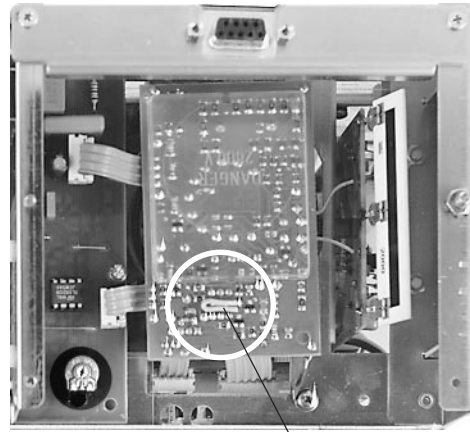


CRT-Board

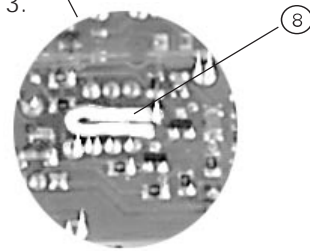


6

CRT and YF-Board (Oscilloscope rear side)

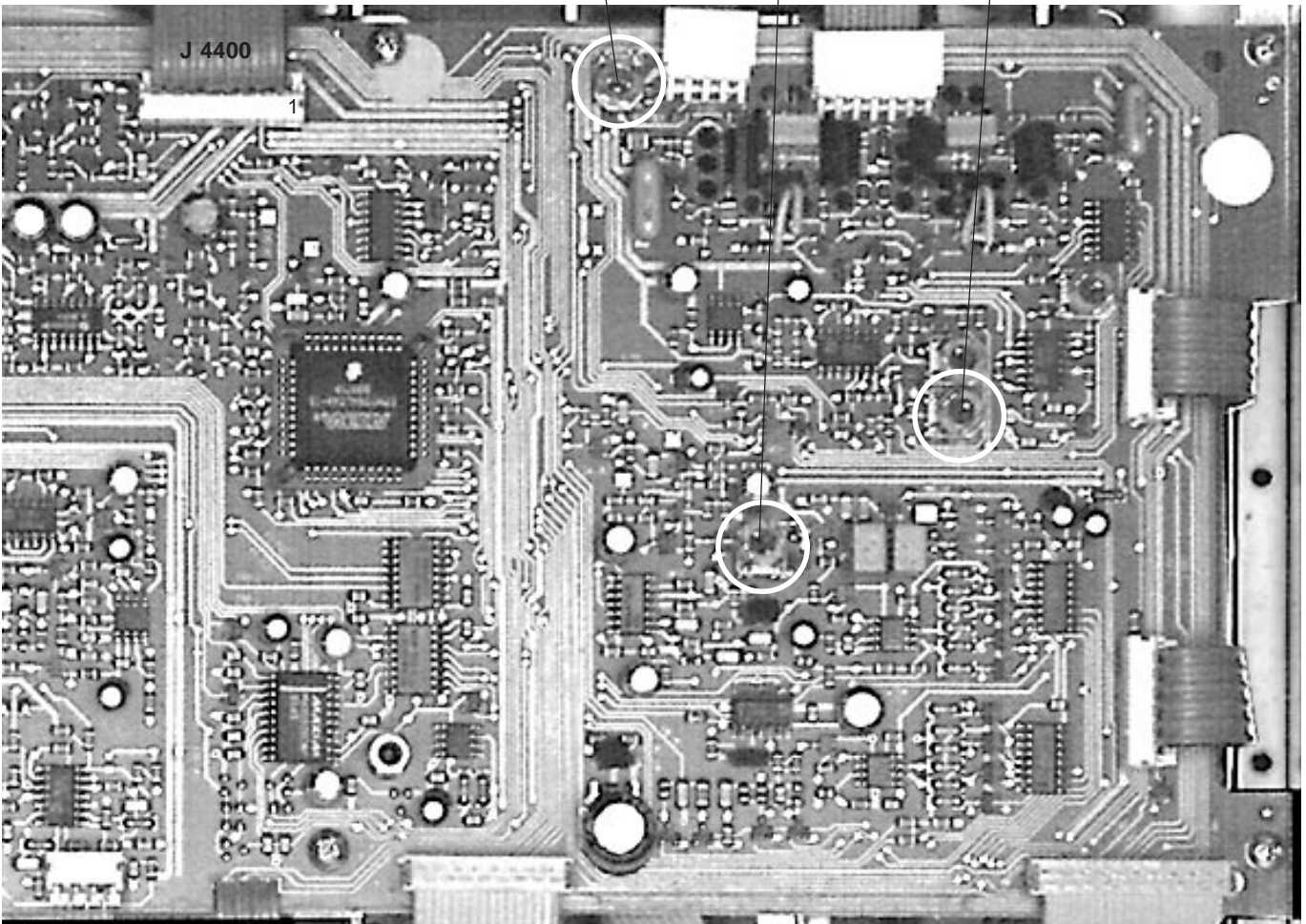


Detail 3.



8

Main-Board



6) R6024: Astigmatism correction.

- Locate and identify R6024 (6) on CRT-Board.
- Briefly press channel I GD pushbutton to ground the input (readout: " CH1:ground symbol").
- Press and hold DUAL-XY pushbutton for XY mode (readout: both channel deflection coefficients and XY.)
- Set the undeflected beam to the screen center.
- Adjust INTENS. (front panel) for low intensity.
- Turn the FOCUS knob continuously to defocus the spot in both directions from the focus point until the next procedure is finished.
- Adjust R6024 (6) so that the spot shape does not change when defocused.
- Press and hold DUAL-XY pushbutton for time base mode.
- Briefly press channel I GD pushbutton to switch from ground condition to DC input coupling (readout: " CH1: 5mV=").

7) R5014: Automatic Focus.

- Locate and identify R5014 (7) on Main-Board.
- Press channel I GD pushbutton to ground the input (readout: " CH1:ground symbol").
- Press and hold DUAL-XY pushbutton for XY mode (readout: both channel deflection coefficients and XY.)
- Set the undeflected beam to the screen center.
- Turn the FOCUS knob for maximum trace sharpness. This setting must not be changed until the following adjustment procedure is finished.
- Press the INTENS. pushbutton briefly to switch over to readout intensity setting.
- Turn the INTENS. knob fully clockwise (beep) for maximum readout intensity setting.
- Adjust R5014 (7) for maximum readout sharpness.
- Press and hold DUAL-XY pushbutton for time base mode.
- Briefly press channel I GD pushbutton to switch from ground condition to DC input coupling (readout: " CH1: 5mV=").

8) C6003 (wire): Beam Diameter in Sweep Start Position.

- Briefly press channel I GD pushbutton to ground the input (readout: " CH1:ground symbol").
- Set time base to 50ns/div.
- Briefly press the X-MAG. pushbutton so that the x10 LED lits.
- Turn X-POS. control clockwise until the trace start position is in the center of the screen.
- Locate and identify the wire (C6003) on the CRT-Board, outside the high voltage section.
- Press or release the wire to or from the board to adjust the trace diameter at the trace start for the same thickness as the following – not effected – visible trace.
- Briefly press the X-MAG. pushbutton so that the x10 LED is dark.
- Set time base to 100µs/div.
- Briefly press channel I GD pushbutton to switch from ground condition to DC input coupling (readout: " CH1: 5mV=").

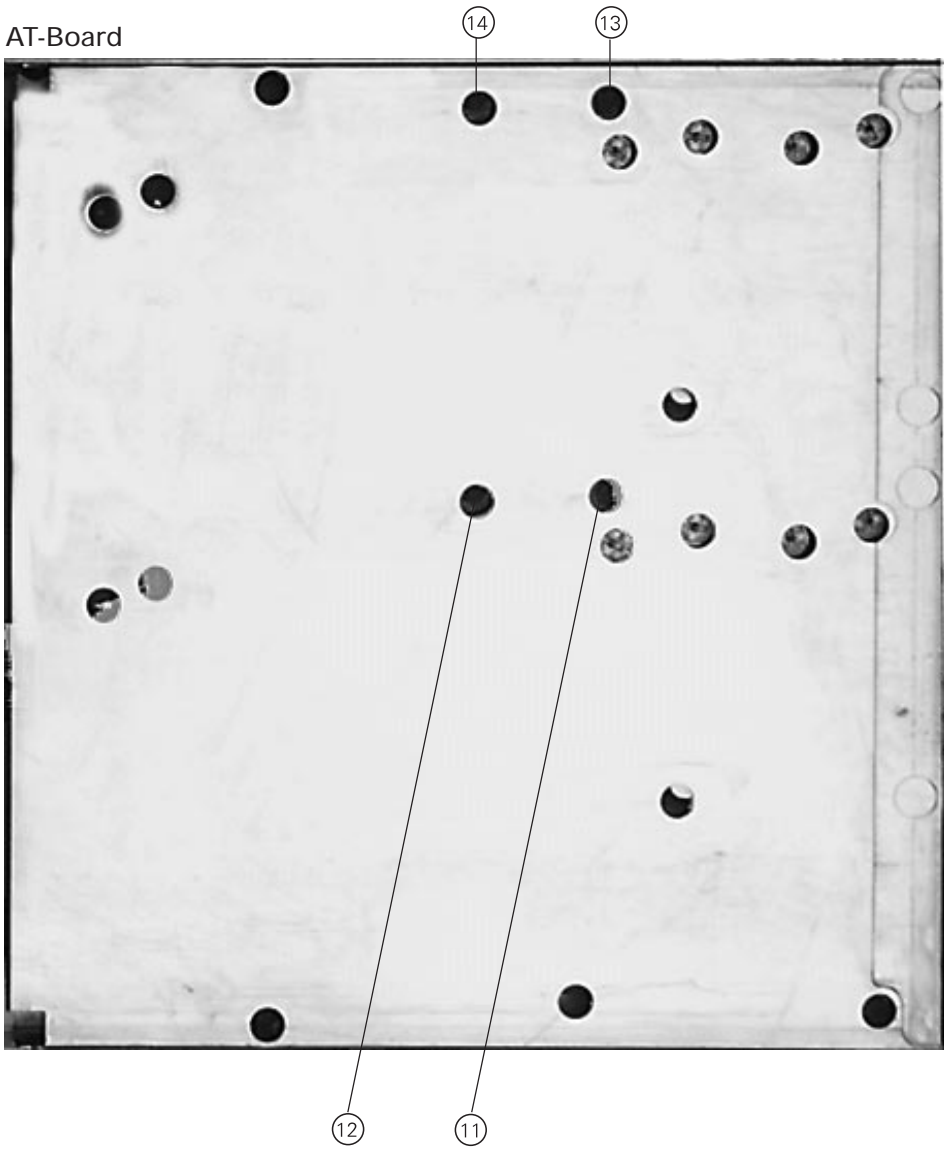
9) R4430: Sweep Start Position.

- Briefly press channel I GD pushbutton to ground the input (readout: " CH1:ground symbol").
- Set time base to 500ns/div.
- Briefly press the X-MAG. pushbutton so that the x10 LED lits.
- Check that the readout displays T:50ns.
- Turn INTENS. control for medium intensity.
- Turn X-POS. control clockwise until a beep signalizes the maximum setting.
- Locate and identify R4430 on Main-Board.
- Adjust R4430 so that the trace starts on the vertical center line of the graticule.
- Briefly press the X-MAG. pushbutton so that the x10 LED is dark.
- Set time base to 100µs/div.
- Briefly press channel I GD pushbutton to switch from ground condition to DC input coupling (readout: " CH1: 5mV=").

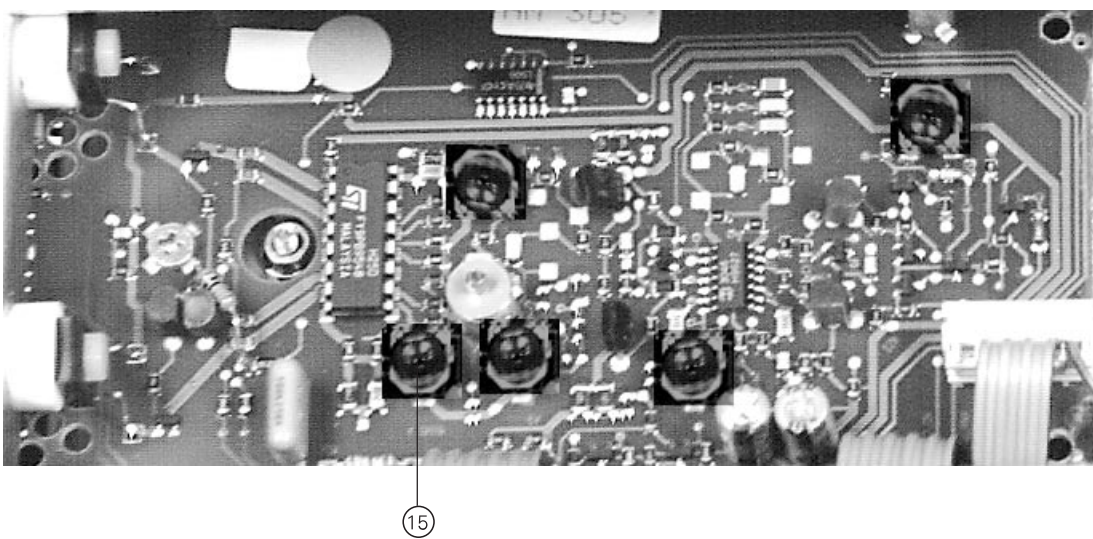
10) R4086: X-Gain x1.

- Briefly press channel I GD pushbutton to ground the input (readout: " CH1:ground symbol").
- Set time base to 500ns/div.
- Locate and identify R4086 on Main-Board.
- Adjust R4086 (10) for 10.4 div. sweep length.

AT-Board



YF-Board



- Set time base to 100 μ s/div.
- Briefly press channel I GD pushbutton to switch from ground condition to DC input coupling (readout: "CH1: 5mV=").

11) R2200: 100Hz Square Wave at 5mV/div CH II.

- Press CH II pushbutton to switch channel I off and channel II on.
- Connect a 25mVpp/100Hz square wave signal via 50 Ohm cable and 50 Ohm through terminator to input channel II.
- Set time base to 1ms/div.
- Check that channel II DC input coupling is present.
- Check that channel II deflection coefficient is 5mV/div.
- Locate and identify R2200 (11) in CH II section of the AT-Board.
- Set the top of the square wave to the horizontal center line of the graticule.
- Adjust R2200 (11) for flat top.
- Disconnect the square wave signal from input channel II.
- Continue with 12), without change in operating conditions.

12) R2202: 100Hz Square Wave at 1mV/div CH II.

- Set channel II deflection coefficient to 1mV/div.
- Connect a 5mVpp/100Hz square wave signal via 50 Ohm cable and 50 Ohm through terminator to input channel II.
- Locate and identify R2202 (12) in CH II section of the AT-Board.
- Set the top of the square wave to the horizontal center line of the graticule.
- Adjust R2202 (12) for flat top.
- Disconnect the square wave signal from input channel II
- Set channel II deflection coefficient to 5mV/div.
- Press CH I pushbutton to switch channel II off and channel I on.
- Continue with 13), without change in operating conditions.

13) R2000: 100Hz Square Wave at 5mV/div CH I.

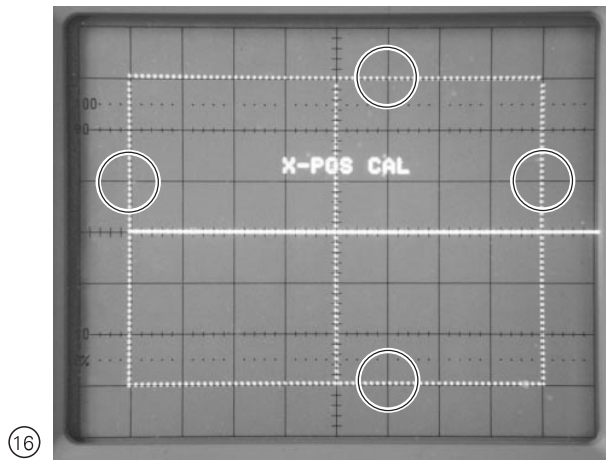
- Check that channel I is switched on.
- Connect a 25mVpp/100Hz square wave signal via 50 Ohm cable and 50 Ohm through terminator to input channel I.
- Check that time base is set to 1ms/div.
- Check that channel I DC input coupling is present.
- Check that channel II deflection coefficient is 5mV/div.
- Locate and identify R200 (13) in CH I section of the AT-Board.
- Set the top of the square wave to the horizontal center line of the graticule.
- Adjust R2000 (13) for flat top.
- Disconnect the square wave signal from input channel I.
- Continue with 14), without change in operating conditions.

14) R2002: 100Hz Square Wave at 1mV/div CH I.

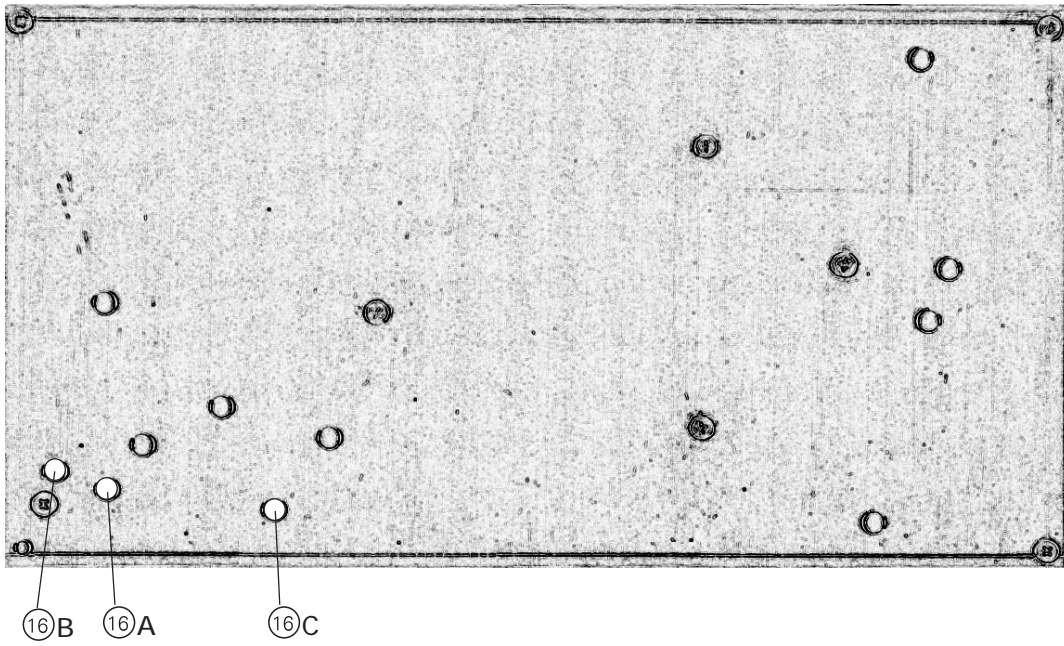
- Set channel I deflection coefficient to 1mV/div.
- Connect a 5mVpp/100Hz square wave signal via 50 Ohm cable and 50 Ohm through terminator to input channel I.
- Locate and identify R2002 (14) in CH II section of the AT-Board.
- Set the top of the square wave to the horizontal center line of the graticule.
- Adjust R2002 (14) for flat top.
- Disconnect the square wave signal from input channel I.
- Set channel I deflection coefficient to 5mV/div.

15) R9023: Y Gain CH I and CH II.

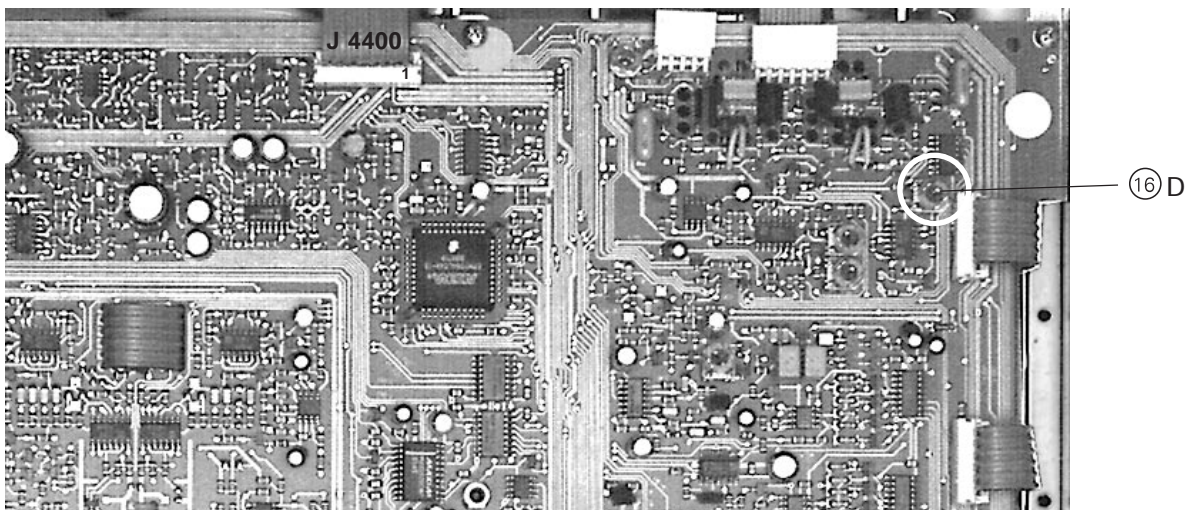
- Release POWER pushbutton (out!).
- Press and hold AUTOSET pushbutton constantly.
- Press Power pushbutton (on!).
- Wait until the headline MAIN MENU and the submenus CALIBRATE (highlighted) and SETUP are displayed on the screen.



Digital-Board



Main-Board



- Release AUTASET pushbutton.
- Press and hold SAVE pushbutton (front panel) to call CALIBRATE.
- The CALIBRATE MENU offers several items.
- Briefly press RECALL pushbutton (front panel) until Y1/2 GAIN is highlighted.
- Press and hold SAVE pushbutton (front panel) to call Y1/2 GAIN.

Note:

This automatically sets the instrument to analog DUAL operation, timebase 100µs/div, channel I and II 5mV= uncalibrated, channel I and II VOLTS/DIV. knobs in vernier function, internal trigger source CHI, automatic triggering and AC trigger coupling. Additionally the readout displays Y-GAIN CAL.

- Turn channel I VOLTS/DIV knob fully clockwise (beep).
- Connect a 25mVpp/1kHz square wave signal via 50 Ohm cable and 50 Ohm through terminator to input channel I.
- Locate and identify R9023 on YF-Board.
- Adjust R9023 for 5.3 div. signal height.
- Turn channel I VOLTS/DIV knob counter clockwise for exactly 5 div. signal height.

Note:

The VOLTS/DIV. setting must not be changed until the following procedure is completed.

- Disconnect the square wave signal from input channel I.
- Connect a 25mVpp/1kHz square wave signal via 50 Ohm cable and 50 Ohm through terminator to input channel II.
- Briefly press TRIG. pushbutton (front panel) to select CH II for internal triggering.
- Turn channel II VOLTS/DIV. knob for exactly 5 div. signal height.

- Press and hold SAVE pushbutton (front panel). Readout: WARNING! CALIBRATION OVERWRITE.

Note:

If the function was called inadvertently, briefly press AUTASET.

- Press and hold SAVE pushbutton. This overwrites the Y-GAIN factory calibration values and the readout displays the CALIBRATION MENU.

- Continue with 16), without change in operating conditions.

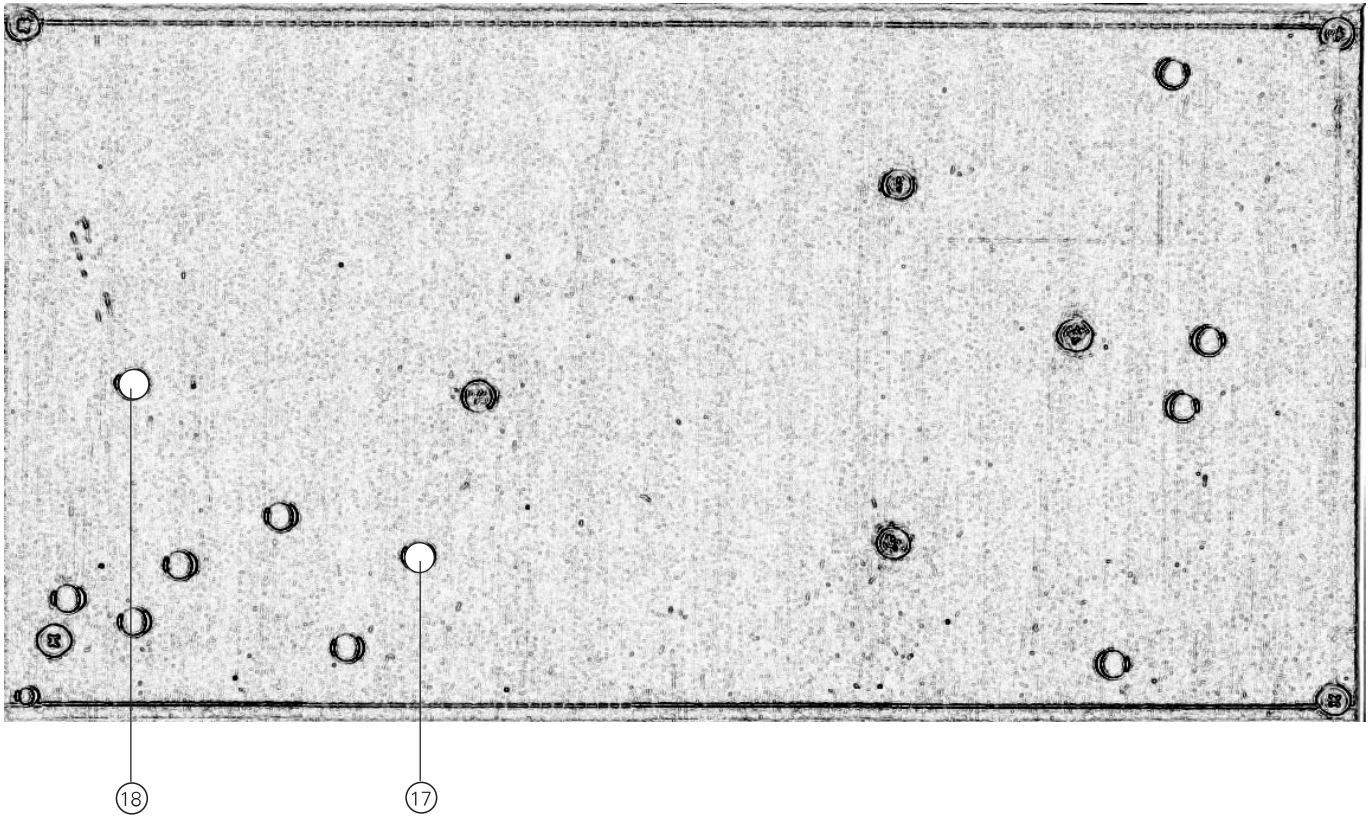
16) VR7002 (A), VR7003 (B), VR7001 (C), R4851 (D): Readout Position.

Attention!

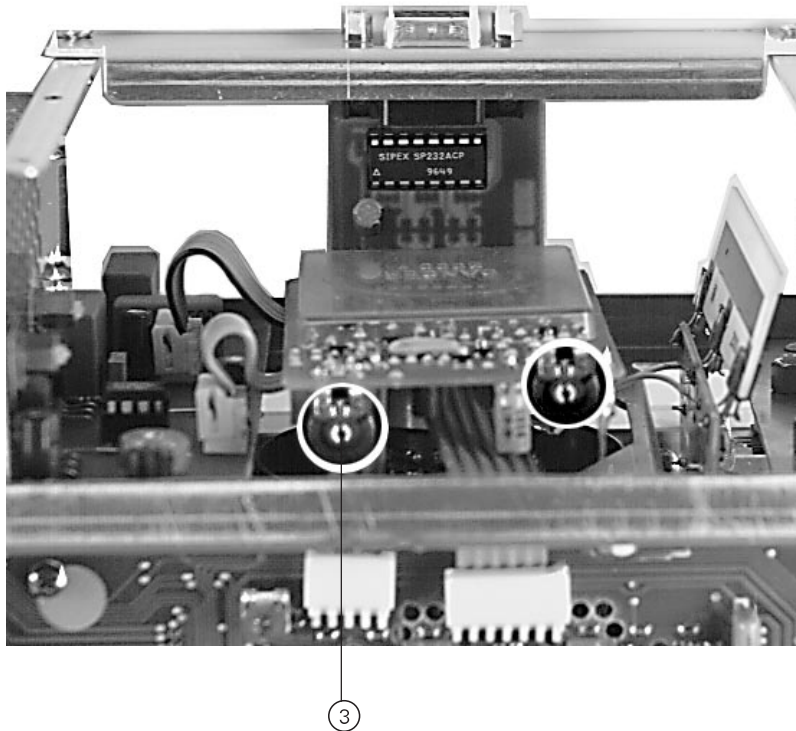
Do not change any front panel setting during the following procedure.

- Briefly press RECALL pushbutton (front panel) to highlight X-POSITION.
- Press and hold SAVE pushbutton (front panel).
- Now the trace and a rectangle with a horizontal and a vertical center line should be visible.
- Locate and identify VR7002 (16A) and VR7003 (16B) on Digital-Board.
- Adjust VR7002 (16A) for exactly 6 div. rectangle Y amplitude.
- Adjust VR7003 (16B) for symmetrical vertical position (horizontal lines 1 division above and below the graticule limits).
- If necessary repeat adjusting VR7002 (16A) and VR7003 (16B).
- Locate and identify VR7001 (16C) on Digital-Board.
- Locate and identify R4851 (16D) on Main-Board.
- Adjust R4851 (16D) for exactly 8 div. rectangle X amplitude.
- Adjust VR7001 (16C) for symmetrical horizontal position (vertical lines 1 division distance from the graticule boarder lines).
- If necessary repeat adjusting R4851 (16D) and VR7001 (16C).
- Briefly press AUTASET until oscilloscope operation is present.
- Briefly press AUTASET for basic conditions.

Digital-Board



CRT-Board



17) VR7005: Dot Join Sample & Hold.

- Check that channel I is switched on.
- Connect a 40mVpp/400Hz sine wave signal via 50 Ohm cable and 50 Ohm through terminator to input channel I.
- Set the signal (Y deflection: 8div.) within the vertical graticule limit lines.
- Press and hold STOR. MODE – ON / OFF pushbutton for digital mode.
- Check that RFR mode is present.
- Check that PT0% is displayed in the readout. Otherwise select that setting by briefly pressing the PT pushbutton (front panel).
- Set TIME/DIV knob to 2µs/div.
- Turn X-POS. knob (front panel) so that the trace start is moved 0.5 div. to the right.
- Check that rising trigger slope is selected.
- Turn LEVEL knob (front panel) so that the trace starts at the horizontal center line of the graticule.
- Briefly press the HOLD pushbutton (front panel) to activate the hold function.
- Press and hold READOUT pushbutton (front panel) to switch the readout off.
- Locate and identify R6013 (3) on CRT-Board.
- Turn R6013 (3) clockwise until the readout becomes visible and watch the trace start position.

Note:

By this reason the CRT minimum intensity adjustment must be repeated.

- Now a signal part of approx. 0.2 to 0.4 div. length in front of the previous signal start is displayed with reduced intensity.
- Locate and identify VR7005 (17) on Digital-Board.
- Adjust VR7005 (17) so that the signal part is displayed as a straight line without curvature.
- Disconnect the sine wave signal from input channel I.
- Briefly press HOLD pushbutton to switch this function off.
- Press and hold READOUT pushbutton to switch this function on.
- Press and hold STOR. MODE – ON/OFF pushbutton for analog operation.
- Briefly press AUTOSET pushbutton.

CRT minimum intensity:

- Set INTENS. control to fully left position (beep).
- Press and hold DUAL pushbutton for XY mode (readout: both channel deflection coefficients and XY.)
- The following adjustment should be made under shaded conditions.
- Adjust R6013 (3) so that the dot just disappears.
- Press and hold DUAL pushbutton to revert to the previous operating conditions which had been set automatically by AUTOSET.

18) VR7007: Dot Join Y Time Constant.

- Check that basic operating conditions are present.
- Press and hold STOR. MODE – ON/OFF pushbutton (front panel).
- Check that RFR mode is present.
- Connect a 25mVpp/10kHz square wave signal via 50 Ohm cable and 50 Ohm through terminator to input channel I.
- Turn TIME/DIV knob for 20µs/div.
- Locate and identify VR7007 (18) on Digital-Board.
- Adjust VR7007 (18) for no overshoot or brightening on the slope.
- Disconnect the square wave signal from input channel I.

19) Y-Amplifier.

- Check that **no signal** is **applied** at the BNC connectors.
- Release POWER pushbutton (out!).
- Press and hold AUTOSET pushbutton constantly.
- Press Power pushbutton (on!).
- Wait until the headline MAIN MENU and the submenus CALIBRATE (highlighted) and SETUP are displayed on the screen.
- Release AUTOSET pushbutton.
- Press and hold SAVE pushbutton (front panel) to call CALIBRATE.
- The CALIBRATE MENU offers several items.
- The item Y AMP is highlighted.

- Press and hold SAVE pushbutton (front panel) to call Y AMP.
- This starts an automatic calibration procedure.
- After the automatic calibration procedure the readout displays the CALIBRATE MENU.

-Continue with 20), without change in operating conditions.

20) Trigger Amplifier.

- Briefly press RECALL pushbutton (front panel) to select (highlight) TRIGGER-AMP.
- Press and hold SAVE pushbutton (front panel) to call TRIGGER-AMP.
- This starts an automatic calibration procedure and the readout additionally displays WORKING.
- After the automatic calibration procedure the readout displays CALIBRATE MENU.

-Continue with 21), without change in operating conditions.

21) Analog Time Base Adjustment and Check.

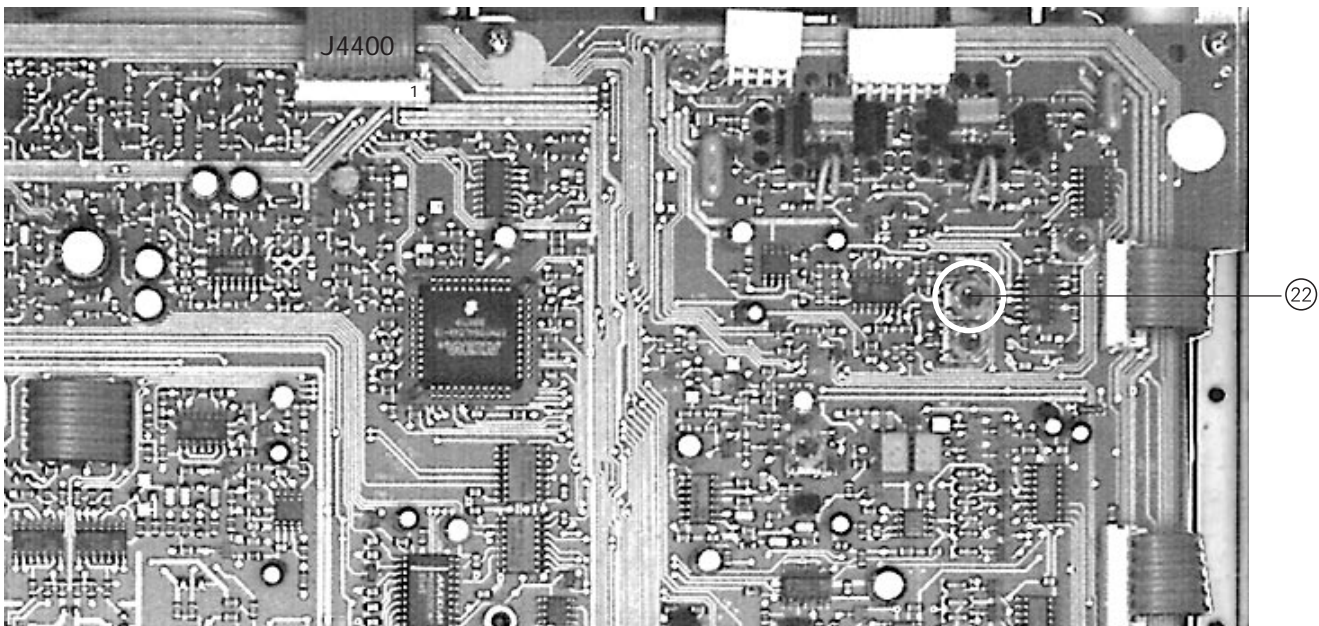
- Briefly press RECALL pushbutton (front panel) to select (highlight) the submenu SWEEP GENERATOR.
- Press and hold SAVE pushbutton (front panel) to call SWEEP GENERATOR. Then the readout displays SWEEP CAL.
- Briefly press channel II GD pushbutton to switch from ground condition to DC input coupling (readout: "CH1: 5mV=").
- Connect a suited time mark or sine wave signal to input channel II.
- Turn VOLTS/DIV knob channel II for a suited signal height (3-5 division).
- Set Y-POS. II for a reading at the horizontal center line of the graticule.
- Press and hold AT - NM pushbutton for normal triggering (NM LED on).

Time base accuracy check.

- Turn TIME/DIV knob fully clockwise (readout: 50ns).
- Set time mark generator to 50ns pulse interval or sine wave generator to $1/50\text{ns} = 20\text{MHz}$.
- Move trace with X-POS. control so that the first time mark coincides with the first left graticule line of the screen.
- Theoretically the 11th time mark should coincide with the last right graticule line (0% error). Due to reading, time mark generator and temperature tolerances the 11th time mark may deviate 0.2div. (2mm) from the optimum.

Check all time deflection coefficients as described before. If an adjustment is required, proceed as described below under item "Time Base Adjustment":

Digital-Board



Time Coefficient	Time Mark	or	Sine Wave Signal (frequency)
100ns/div	100ns		10MHz
200ns/div	200ns		5MHz
500ns/div	500ns		2MHz
1µs/div	1µs		1MHz
2µs/div	2µs		500kHz
5µs/div	5µs		200kHz
10µs/div	10µs		100kHz
20µs/div	20µs		50kHz
50µs/div	50µs		20kHz
100µs/div	100µs		10kHz
200µs/div	200µs		5kHz
500µs/div	500µs		2kHz
1ms/div	1ms		1kHz
2ms/div	2ms		500Hz
5ms/div	5ms		200Hz
10ms/div	10ms		100Hz
20ms/div	20ms		50Hz
50ms/div	50ms		20Hz
100ms/div	100ms		10Hz
200ms/div	200ms		5Hz
500ms/div	500ms		2Hz

Time base adjustment

Note:

The instrument contains a memory in which correction values for each time coefficient are stored. The following description explains the adjustment and storing procedure.

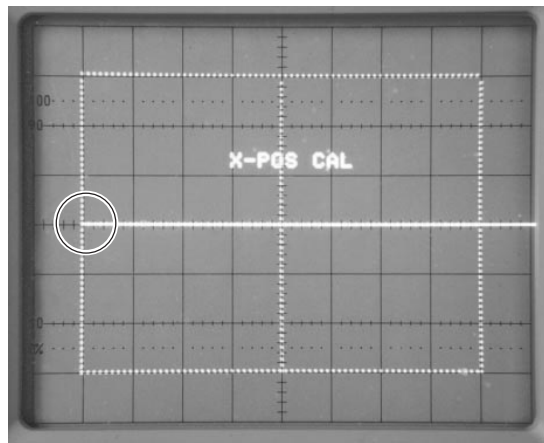
- Move trace with X-POS. control so that the first time mark coincides with the first left graticule line of the screen.
- Press and hold DEL. TRIG. – VAR. pushbutton to switch the VAR.-LED in the TIME/DIV. sector on.
- Turn the TIME/DIV control so that the 11th time mark coincides with the last right graticule line (0% error).
- Press and hold SAVE pushbutton (SET function).
- The readout then displays "WARNING! CALBRATION OVERWRITE".
- If the SET function was called inadvertently, press AUTOSET to revert.
- Otherwise press and hold SAVE pushbutton again (SET function) to confirm the adjustment, which will be stored.
- Revert to time base accuracy check.

-After completion of the time base accuracy checks and adjustments, briefly press AUTOSET 3 times to revert to normal oscilloscope operation.

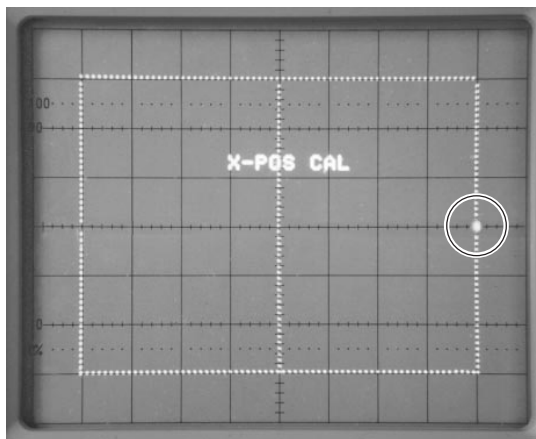
-Continue with 22), without change in operating conditions.

22) R4840: X-Magnification x10

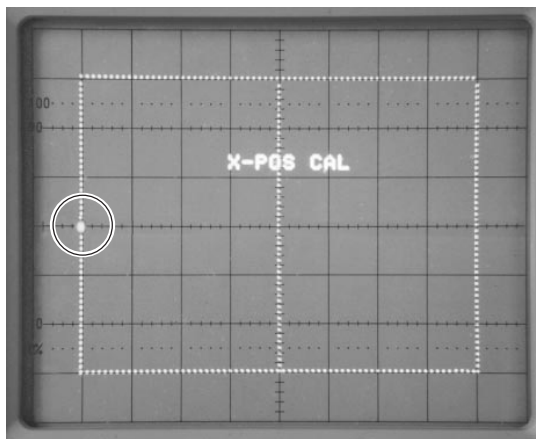
- Locate and identify R4840 (22) on MB-Board.
 - Press pushbutton X-Mag. x10 (x10 LED lit).
 - Set time base to 500ns/div.
 - Move trace with X-POS. control so that it is in center position.
 - Briefly press X-MAG. pushbutton to switch the x10 LED on.
 - Set time mark generator to 50ns or sine wave generator to 20 MHz.
 - Using X-POS control, move the first visible time mark to the first left graticule line.
 - The X-POS. control setting must be corrected during the following adjustment, so that the first time mark is always on the first left graticule line.
 - Adjust R4840 (22) so that the next time mark coincides with the last (right) graticule line.
- Disconnect time mark (sine wave) signal from input.
-Briefly press AUTOSET.



②4A



②4B



②4C

23) X-Gain in XY Mode.

- Release POWER pushbutton (out!).
- Press and hold AUTOSET pushbutton constantly.
- Press Power pushbutton (on!).
- Wait until the headline MAIN MENU and the submenus CALIBRATE (highlighted) and SETUP are displayed on the screen.
- Release AUTOSET pushbutton.
- Press and hold SAVE pushbutton (front panel) to call CALIBRATE.
- The CALIBRATE MENU offers several items.
- The item Y AMP is highlighted.
- Briefly press RECALL pushbutton until XY GAIN is highlighted.
- Press and hold SAVE pushbutton (SET function) to call XY GAIN.

- Then the readout displays XY-GAIN CAL and a dot is displayed.
 - If the dot does not coincide with a vertical graticule line, use X-POS. control to move the dot to the next vertical line.
 - The VAR-LED in the channel II VOLTS/DIV. sector is on.
 - For channel II the readout displays "CHX>5mV=".
 - Connect a 25mVpp/1kHz square wave signal via 50 Ohm cable and 50 Ohm through terminator to input channel II.
 - Now 2 dots are visible on the screen.
 - Turn VOLTS/DIV. control until the horizontal distance between both dots is exactly 5 division.
 - Press and hold SAVE pushbutton (SET function).
 - The readout then displays "WARNING! CALBRATION OVERWRITE".
 - If the SET function was called inadvertently, press AUTOSET to revert.
 - Otherwise press and hold SAVE pushbutton again (SET function) to confirm the adjustment, which will be stored.
 - After storing the readout displays CALIBRATE MENU.
 - Disconnect signal from input channel II.
- Continue with 24), without change in operating conditions.

24) X-Position.

- Briefly press RECALL pushbutton (front panel) to highlight X-POSITION.
- Press and hold SAVE pushbutton (front panel).
- Now the trace and a rectangle with a horizontal and a vertical center line should be visible.
- Additionally the readout displays X-POS CAL.
- Check that the X and Y position of the rectangle is correct, as described under item 16).

A:

- Use X-POS. control to move the trace start on the left vertical line of the rectangle.
- Press and hold SAVE pushbutton (SET function).
- The readout then displays "WARNING! CALIBRATION OVERWRITE".
- If the SET function was called inadvertently, press AUTOSET to revert. Then X-POS CAL and the rectangle are displayed.
- Otherwise press and hold SAVE pushbutton again (SET function) to confirm the adjustment, which will be stored.

B:

Note.

Now the readout displays "XY-POS CAL", the trace is switched off and a dot is displayed.

- Use X-POS. control to move the dot on the right vertical line of the rectangle.
- Press and hold SAVE pushbutton (SET function).
- The readout then displays "WARNING! CALIBRATION OVERWRITE".
- If the SET function was called inadvertently, press AUTOSET to revert. Then XY-POS CAL and the rectangle are displayed.
- Otherwise press and hold SAVE pushbutton again (SET function) to confirm the adjustment, which will be stored.

C:

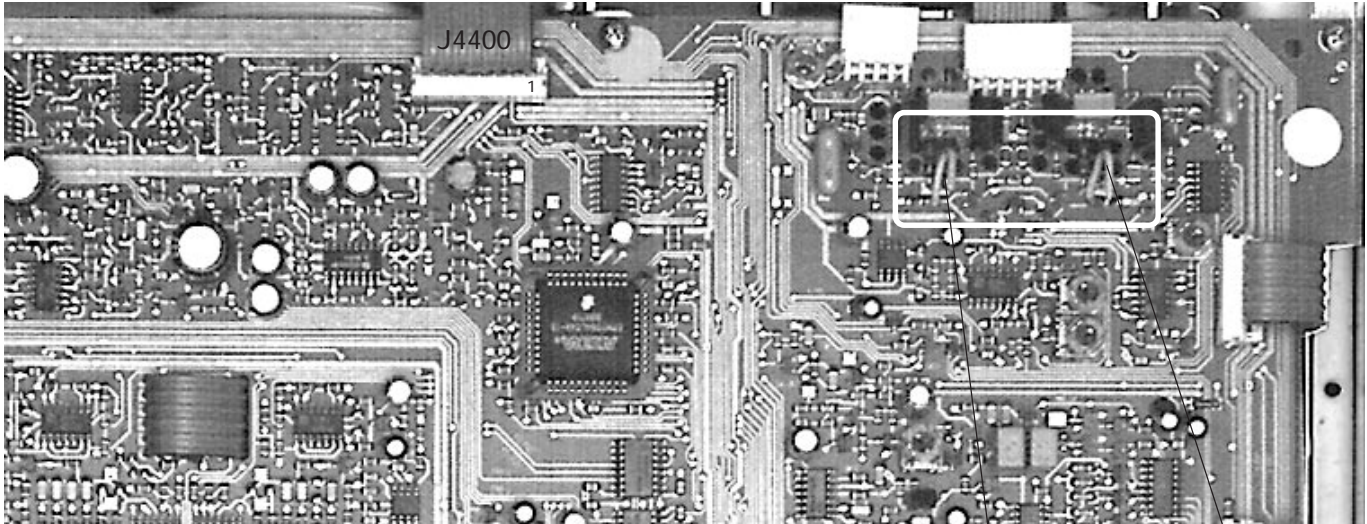
- Use X-POS. control to move the dot on the left vertical line of the rectangle.
- Press and hold SAVE pushbutton (SET function).
- The readout then displays "WARNING! CALIBRATION OVERWRITE".
- If the SET function was called inadvertently, press AUTOSET to revert. Then XY-POS CAL and the rectangle are displayed.
- Otherwise press and hold SAVE pushbutton again (SET function) to confirm the adjustment, which will be stored.

-Now the instrument is automatically set to condition "24) B".

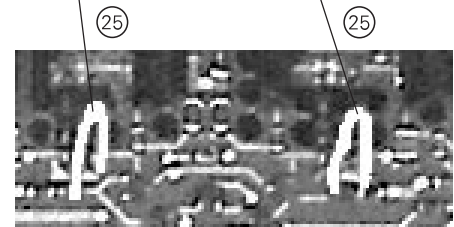
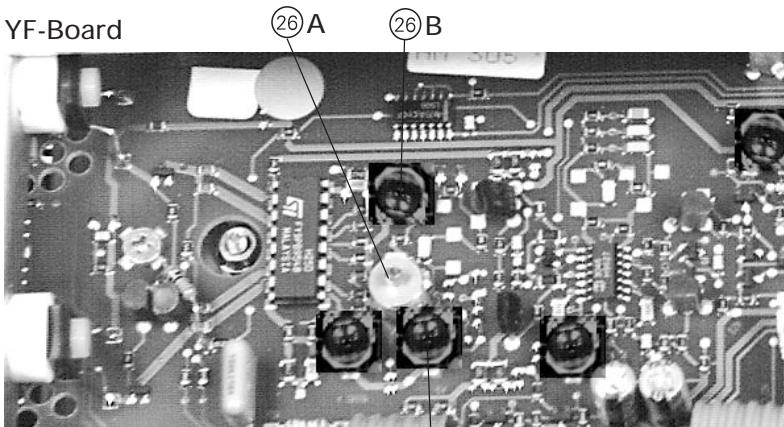
-Repeat the adjustments "24) B" and "24) C" until maximum is achieved.

-Press AUTOSET several times until analog Yt mode is present.

Digital-Board

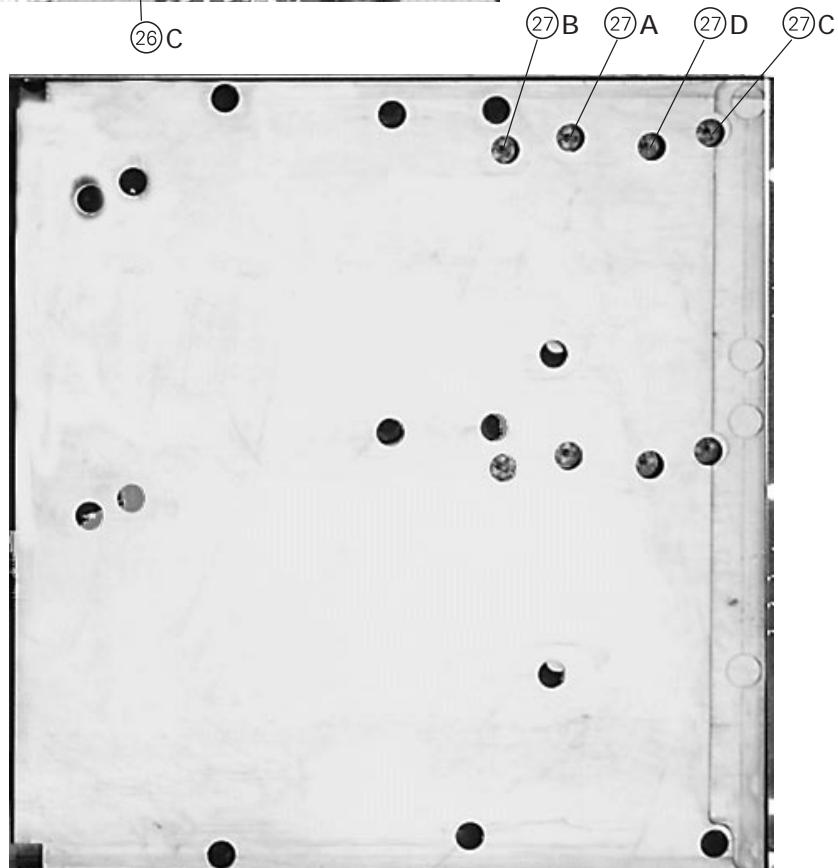


YF-Board



Detail 4.

YF-Board



25) C4809, C4810: X-Deflection Linearity.

- Press AUTOSET for basic settings.
- Turn TIME/DIV knob for time coefficient 50ns/div.
- Briefly press X-MAG. pushbutton so that the x10 LED is on (readout "T:10ns").
- Connect a 100MHz sine wave signal via 50 Ohm cable and 50 Ohm through terminator to input channel I.
- Set the sine wave generator output voltage for approx. 4 div. signal height.
- Locate and identify the wires C4809 and C4810 on Main-Board.
- Bend the wires to or from the board to adjust for 1div X-deflection per sine wave period.
- Briefly press the X-MAG. pushbutton so that the x10 LED is dark.
- Set time base to 100µs/div.

26) C9025 (A), R9063 (B), R9075 (C): Y-Final Amplifier Adjustment / Bandwidth Check.

- Check that channel I is switched on.
- Connect a 25mVpp/1MHz square wave signal via 50 Ohm cable and 50 Ohm through terminator to input channel I.
- Set time base to 200ns/div. (X-MAG x10 off).
- Check that channel I DC input coupling is present.
- Check that channel I deflection coefficient is 5mV/div.
- Locate and identify C9025 (A), R9063 (B) and R9075 (C) on YF-Board.
- Adjust all adjustment points for flat top, fast leading edge (minimum risetime) and minimum overshoot.

- Disconnect the square wave signal from input channel I.
- Briefly press CH II pushbutton.
- Connect a 25mVpp/1MHz square wave signal via 50 Ohm cable and 50 Ohm through terminator to input channel II.
- Check that the square wave is displayed in the same quality as in channel I condition.

Y-Amplifier Bandwidth Check.

- Connect a 40mVpp/50kHz sinewave signal from a constant amplitude generator via a 50-Ohm throughtermination to the input of channel II (CH2:5mV=).
- Adjust the generator amplitude for 8 div. display height on the screen.
- Increase the generator frequency until the signal is displayed with 5.6 div. height (-3dB).
- Repeat the adjustments of C9025 (A), R9063 (B), R9075 (C), if the frequency reading on the generator shows a value less than 35MHz.

- Briefly press CH I pushbutton.
- Connect a 40mVpp/50kHz sinewave signal from a constant amplitude generator via a 50-Ohm throughtermination to the input of channel I (CH1:5mV=).
- Adjust the generator amplitude for 8 div. signal height displayed on the screen.
- Increase the generator frequency until the signal is displayed with 5.6 div. height (-3dB).
- Repeat the adjustments of C9025 (A), R9063 (B), R9075 (C), if the frequency reading on the generator shows a value less than 35MHz.

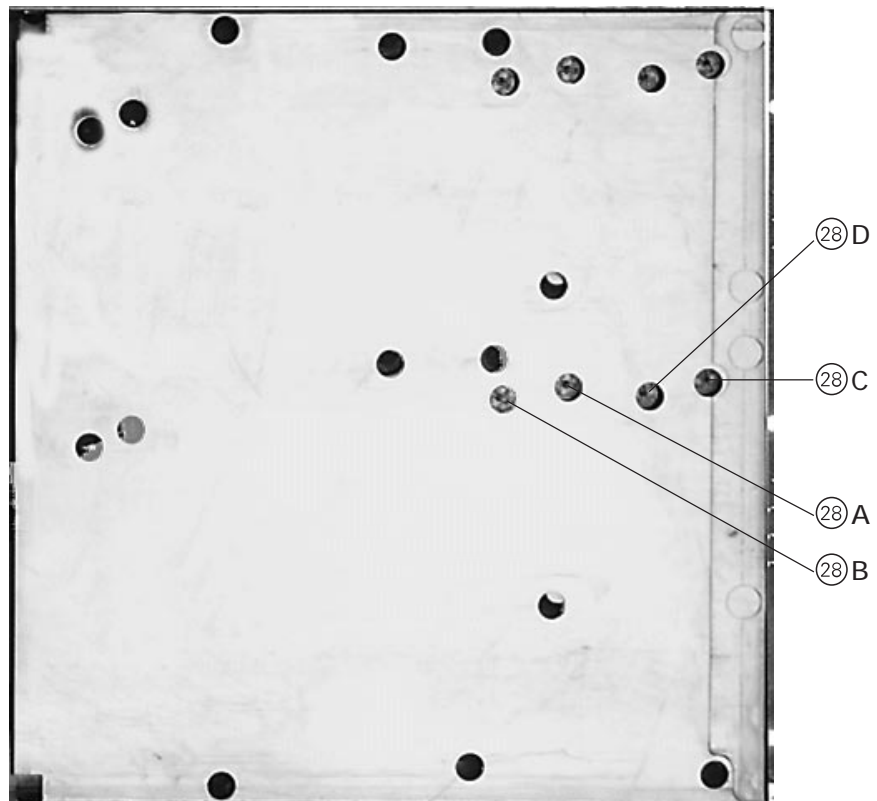
- Briefly press AUTOSET for basic settings.

27) C2009 (A), C2013 (B), C2007 (C), C2012 (D): Attenuator Compensation CH I.

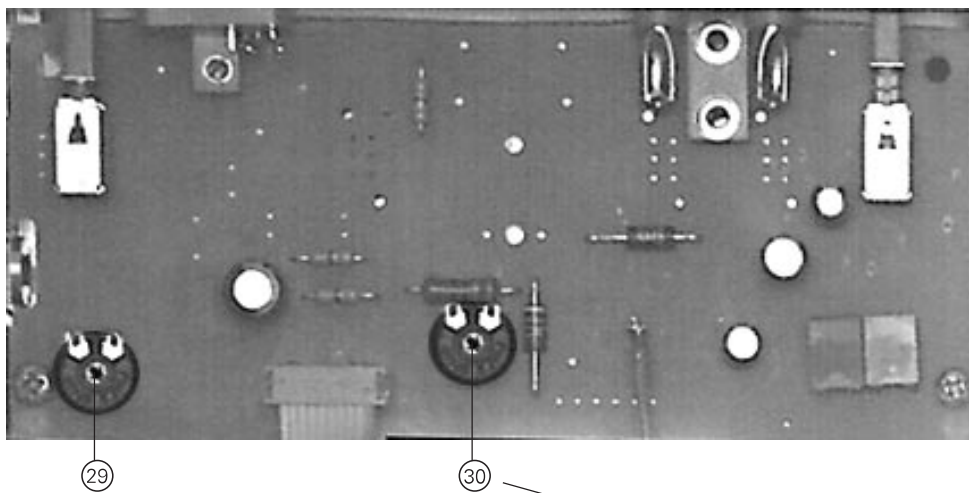
- Set time base to 200µs/div. (X-MAG x10 off).
- Check that the readout displays "CH1:5mV=".
- Set amplitude calibrator to 1kHz, connect the generator output via a 50 Ohm cable, a 50 Ohm through terminator and a 2:1 pre-attenuator to input CH I.
- Set calibrator output voltage to 50mVpp at 50 Ohm (25mVpp at the 2:1 pre-attenuator output).
- Check for 5 divisions signal height.
- Adjust trimmer in pre-attenuator for flat square wave top. This adjustment must not be changed during the following procedure.

- Turn channel I VOLTS/DIV control for 50mV/div.
- Set calibrator output voltage to 500mVpp at 50 Ohm (250mVpp at the 2:1 pre-attenuator output).
- Locate and identify C2009 (A) and C2013 (B) on AT-Board channel I section.
- Adjust C2009 (A) for flat top and C2013 (B) for no over and undershoot.

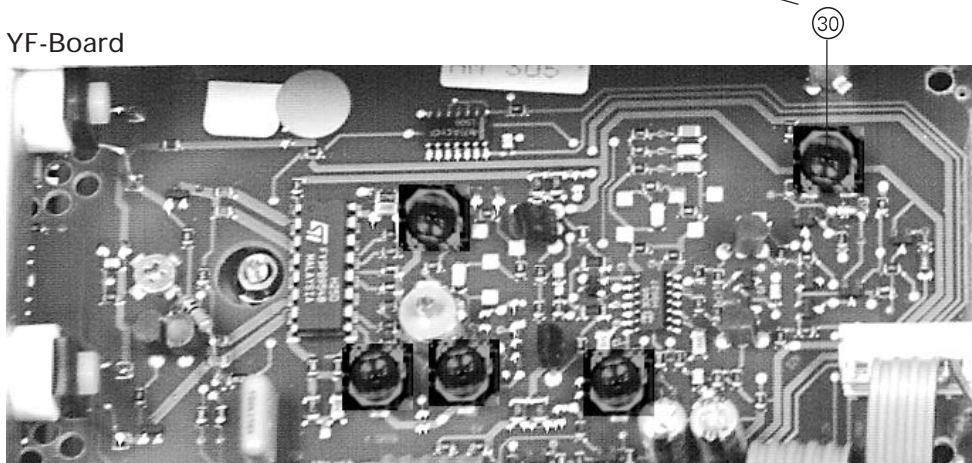
YF-Board



CT-Board



YF-Board



- Turn channel I VOLTS/DIV control for 500mV/div.
- Set calibrator output voltage to 5Vpp at 50 Ohm (2.5Vpp at the 2:1 pre-attenuator output).
- Locate and identify C2007 (C) and C2012 (D) on AT-Board channel I section.
- Adjust C2007 (C) for flat top and C2012 (D) for no over and undershoot.
- Disconnect the square wave signal from input channel I.
- Briefly press AUTOSET for basic settings.

28) C2209 (A), C2213 (B), C2207 (C), C2212 (D): Attenuator Compensation CH II.

- Briefly press CH II pushbutton.
- Set time base to 200µs/div. (X-MAG x10 off).
- Check that the readout displays " CH2:5mV=" .
- Set amplitude calibrator to 1kHz, connect the generator output via a 50 Ohm cable, a 50 Ohm through terminator and a 2:1 pre-attenuator to input CH II.
- Set calibrator output voltage to 50mVpp at 50 Ohm (25mVpp at the 2:1 pre-attenuator output).
- Check for 5 divisions signal height .
- Adjust trimmer in pre-attenuator for flat square wave top. This adjustment must not be changed during the following procedure.
- Turn channel II VOLTS/DIV control for 50mV/div.
- Set calibrator output voltage to 500mVpp at 50 Ohm (250mVpp at the 2:1 pre-attenuator output).
- Locate and identify C2209 (A) and C2213 (B) on AT-Board channel II section.
- Adjust C2209 (A) for flat top and C2213 (B) for no over and undershoot.
- Turn channel II VOLTS/DIV control for 500mV/div.
- Set calibrator output voltage to 5Vpp at 50 Ohm (2.5Vpp at the 2:1 pre-attenuator output).
- Locate and identify C2207 (C) and C2212 (D) on AT-Board channel II section.
- Adjust C2207 (C) for flat top and C2212 (D) for no over and undershoot.
- Disconnect the square wave signal from input channel II.
- Briefly press CH I pushbutton.
- Briefly press AUTOSET for basic settings.

29) VR8940: Calibrator Output.

- Locate and identify VR8940 (29) on CT-Board.
- Connect a digital multimeter to the 0.2Vpp calibrator output and calibrator ground.
- Set up the digital multimeter for DC measurement on a suitable sensitivity setting.
- Adjust VR7006 (31) for exactly 100mV ± 1mV DC.
- Connect a 10:1 probe to the 0.2Vpp calibrator output and connect it to the CH I input of the scope.
- Set time base to 200µs/div.
- Now approximately 2 signal periods should be visible on the screen.
- Press 1kHz/1MHz pushbutton (in!).
- Set time base to 200ns/div.
- Check 1MHz calibrator signal.

Please note: Neither the calibrator frequency nor the pulse duty factor are specified.

30) R9004, RV4322: Component Tester Position.

- Briefly press COMP. TESTER – ON/OFF pushbutton to select component tester mode (readout: CT).
- Check that component tester socket is not connected externally to ground.
- The following adjustments require normal operating conditions to reduce the influence of the earth magnetic field to a minimum.
- Locate and identify R9004 on YF-Board.
- Adjust R9004 to move CT trace (approx. 8 div length) to the screen center.
- Locate and identify RV4322 on CT-Board.
- Adjust RV4322 for trace which is parallel to the horizontal graticule line.
- Connect the component tester socket via a wire (0 Ohm) to ground.
- Check that the CT trace is now displayed as a vertical line (approx. 6 div. height).
- Briefly press COMP. TESTER – ON/OFF pushbutton to switch component tester mode off.

31) Store Amplifier.

- Release POWER pushbutton (out!).
- Press and hold AUTOSET pushbutton constantly.
- Press Power pushbutton (on!).
- Wait until the headline MAIN MENU and the submenus CALIBRATE (highlighted) and SETUP are displayed on the screen.
- Release AUTOSET pushbutton.
- Press and hold SAVE pushbutton (front panel) to call CALIBRATE.
- The CALIBRATE MENU offers several items.
- The item Y AMP is highlighted.
- Briefly press RECALL pushbutton until STORE AMP is highlighted.
- Check that no signal is applied at the inputs.
- Press and hold SAVE pushbutton (SET function) to call STORE AMP.
- This starts an automatic adjustment procedure which is indicated by "WORKING".
- After the adjustment the readout displays CALIBRATE MENU.
- Briefly press AUTOSET pushbutton several times until normal oscilloscope operation is present.
- Briefly press CH I pushbutton.

32) Trigger Filter Check.

- Set time base to 1ms/div.
- Connect a 1kHz sinewave signal of 25mVpp amplitude to input CH I and check for full screen deflection.
- Set input attenuator CH I to 50mV/div and check for 5mm display height.
- Select trigger coupling AC, DC, HF and LF.
- Except in HF trigger coupling condition, the signal must always trigger the oscilloscope.
- Set time base to 20 μ s/div.
- Set sinewave generator to 50kHz and 25mV output amplitude and check for 5mm display height.
- Select trigger coupling from AC, DC, HF and LF.
- Except in LF trigger coupling condition, the signal must always trigger the oscilloscope.

33) Trigger Bandwidth Check.

- Set time base to 50ns/div.
- Connect a 100MHz sinewave signal to input CH I.
- Adjust generator output for 5mm display height.
- The signal must be triggered.

34) External Trigger Check.

- Set time base to 20 μ s/div.
- Set input attenuator CH I to 100mV/div.
- Connect a 50 kHz sinewave signal via a 50 Ohm through terminator with an amplitude of 280mVpp (100mVrms) to input CH I and check for 2.8div display height.
- Set trigger LEVEL to electrical midrange position.
- Check that the trigger ("TR") LED is lit.
- Briefly press TRIG. pushbutton until "EXT"-LED is on.
- The "TR" (trigger indicator) LED now must be dark.
- Remove signal cable from input CH I.
- Connect the signal cable to the TRIG. EXT. socket.
- Now the "TR"-LED must lit.



Service Manual Interface commands

*For Oscilloscope: HM305-2,
HM404, HM407, HM1004-2,
HM1505-2, HM1507, HM1507-2*

Description of interface commands	65
RS-232 cable	65
Setting the baud rate	65
Data transmission	65
Interrogation of parameters	65
Set parameter	66
Definition of characters for the commands	66
Table of commands	67
Instrument data field (DDF)	75
Instrument data field 1 (DDF1)	76
Read out data field (RODDF)	76
Examples	77
Remote control with the TermX9 program of Norton Commander	80

SI_010998/hub/gRR

Description of interface commands

Valid for oscilloscopes:

HM305-2, HM404, HM407, HM1004-2, HM1505-2, HM1507, HM1507-2

RS-232 cable

A 9 conductor serial interface cable (1:1 connection, i.e. without crossed pin connections) will be required to connect the oscilloscope to an external instrument.

Setting the baud rate

The RS 232 interface must be initialized before use. This is effected by the first transmission of SPACE CR (20 hex., 0D hex.) after POWER UP (*switching on*). This will automatically set the baud rate.

The following baud rates will be recognized:

110 Baud	4800 Baud
150 Baud	9600 Baud
300 Baud	19200 Baud
600 Baud	38400 Baud ^(1.19)
1200 Baud	56700 Baud ^(1.19)
2400 Baud	115200 Baud ^(1.19)

Data transmission format: No parity, data length 8 bits,
2 stop bits, RTS/CTS handshake.

If the PC has a COM interface with FIFO buffer, then the maximum depth of the send buffer must be set to 8 bytes.

The baud rate set will remain operative until POWER DOWN (*switch off*) or until the remote mode is disabled with the command 'RM0', or until the pushbutton LOCAL (AUTOSET button) is activated, assuming this is not inhibited (LK=0).

Once the remote mode is disabled, the data transmission can be only restored by again sending SPACE CR.

If the oscilloscope does not recognize SPACE CR as first characters, or if Low-level exists on the RTS line longer than for about 2 seconds, then the oscilloscope exits the remote mode and sets the TxD Low for about 0.3s and thus generates a frame error.

The oscilloscope answers with a RETURNCODE (0 CR LF) if it has recognized SPACE CR and has set the baud rate.

The scope sends 'ESC RMLK=0' (ESC=1B hex.) and exits the Remote state if the button LOCAL is activated in Remote-ON state. The time between the reception of the RETURNCODE Remote-OFF and Remote-ON must be at least

$$t_{\min} = 2 \cdot (1/\text{Baudrate}) + 60\mu\text{s}$$

Data transmission

After successfully setting the baud rate, the oscilloscope is in Remote state and is ready to accept commands. The commands can be in capital or lower case. The commands can be divided into two basic groups:

Interrogation of parameters

This group of commands is distinguished by a question mark at the end of the command. When such a command is transmitted to the scope, it answers by repeating the syntax followed by a colon and the parameters asked for. These can be binary or ASCII data depending on the command. The number of data bytes to be received is dependent on the command and can be seen from the command description.

Example: Command to the scope: VERS?
 Answer: VERS:FC1.01 DG1.02

Set parameter

The parameters of the scope can be influenced with this command. Here commands with and without parameter can be differentiated.

Example: Command to the scope: LK=1
 Answer: RETURNCODE

Example: Command to the scope: RES
 Answer: RETURNCODE

All commands are answered either with parameters or with a RETURNCODE in ASCII format (see description of commands). One must wait for all parameters or RETURNCODE for the previous command before a new command can be sent to the scope.

WORD-parameters require first the low byte and then the high byte. The setting of the scope is effected over the instrument data field (DeviceDataField DDF) as *binary array*. Each byte of this data field can also be accessed by individual commands.

The following tables show the build up of the instrument data field and the corresponding individual commands.

Definition of characters for the commands

Interrogation	?	Interrogates for parameters
Assign	=	Set parameter
State	:	Gives current parameter
Binary data	b	Data field is binary data of 1 byte
ASCII data	a	Data field is ASCII data of 1 Byte
WORD (2 bytes)	w	Data field consists of 2 bytes (low and high bytes)
ASCII data	ARRAY	Data field is ASCII data
Binary data	array	Data field is binary data
Terminating character	CR LF	Carriage return and/or Line feed
RETURNCODE	R	ASCII parameter
Parameter	x	x stands for A or B
Parameter	z	z stands for 1 or 2

Table of commands:

Command: PC -> Scope	Acknowledgment Scope -> PC	Description
AUTOSET	(R CR LF)	AUTO SET function will be carried out
AVRNM? ⁽³⁾	AVRNM:(b)	AVERAGE NUMBER OF ACQUISITIONS Delivers the number of acquisitions carried out for averaging b = 01 hex.: 2 ¹ = 2 acquisitions b = 02 hex.: 2 ² = 4 acquisitions ... b = 09 hex.: 2 ⁹ = 512 acquisitions
AVRNM=(b) ⁽³⁾	(R CR LF)	AVERAGE NUMBER OF ACQUISITIONS Sets the number of acquisitions to be carried out for averaging
AVRNMSW? ⁽³⁾⁽⁵⁾	AVRQTSW:(a)	AVERAGE NUMBER OF ACQUISITIONS SWITCH Delivers the function of the Store Up/Down buttons a = 0: Store Up/Down buttons change Store Mode a = 1: Store Up/Down buttons change Average Number of Acquisitions
AVRNMSW=(a) ⁽³⁾⁽⁵⁾	(R CR LF)	AVERAGE NUMBER OF ACQUISITIONS Sets Average Number of Acquisition Switch
BELL=(a)	(R CR LF)	Tone output a = 0: Buttons OK tone a = 1: Buttons ERROR tone a = 2: ERROR (longer tone) a = 3: 2 short tones a = 4: 3 short tones a = 5: 6 short tones
CH<z>?	CH<z>:(b)	Delivers CH1/2 settings see table of instrument fields DDF
CH<z>=(b)	(R CR LF)	Sets CH1/2 settings see table of instrument fields DDF
CH<z>VAR?	CH<z>VAR:(b)	Delivers CH1/2 VARI-GAIN setting b = FF hex.: CH<z> (1 or 2) calibrated
CH<z>VAR=(b)	(R CR LF)	Sets CH1/2 VARI-GAIN setting
CTRLBP?	CTRLBP:(a)	Delivers CONTROL BEEP setting a = 0: Off (key activation without control tone) a = 1: On
CTRLBP=(a)	(R CR LF)	Sets CONTROL BEEP setting
DDF?	DDF:(array)	Delivers DEVICE DATA FIELD see table of instrument fields (4 bytes of commands + 14 bytes of parameters)
DDF=(array)	(R CR LF)	Sets new DEVICE DATA FIELD see table of instrument fields DDF

DDF1?	DDF1:(array)	Delivers DEVICE DATA FIELD1 see table of instrument fields DDF1 (5 bytes of commands + 16 bytes of parameters.)
DDF1=(array)	(R CR LF)	Sets new DEVICE DATA FIELD1 see table of instrument fields DDF1
DELPOS?	DELPOS:(w)	Delivers DELAY POS.(12 Bit) w = 000 hex.: Shortest DELAY time
DELPOS=(w)	(R CR LF)	Sets DELAY POS.(12 bit)
ERRBP?	ERRBP:(a)	Delivers ERROR BEEP setting a = 0: Off (no error tone output) a = 1: On (with error tone output)
ERRBP=(a)	(R CR LF)	Sets ERROR BEEP
ERRMSGE?	ERRMSGE:(a)	Delivers ERROR MESSAGE setting a = 0: Off (Error messages are only sent to the interface) a = 1: On (Error messages are displayed with Read out and also sent to the interface)
ERRMSGE=(a)	(R CR LF)	Sets ERROR MESSAGE setting
FCCMD? ^(1.1)	FCCMD:(a)	FRONT CONTROLLER COMMAND Informs whether the scope has been manually operated. Will be reset after each interrogation.. a = 0: Scope has not been manually operated. a = 1: Scope has been operated manually (in the mean time).
HLD<z>POS? ⁽³⁾	HLD<z>POS:(b)	Delivers HOLD 1/2 POSITION Y-offset carried out after HOLD referred to Store position. b = 00 hex.: Position shifted maximum upwards.
HLD<z>POS=(b) ⁽³⁾	(R CR LF)	Sets HOLD 1/2 POSITION
HOLDOFF?	HOLDOFF:(b)	Delivers HOLD OFF value b = 00 hex.: Shortest Hold off time
HOLDOFF=(b)	(R CR LF)	Sets HOLD OFF value
HORMODE?	HORMODE:(b)	Delivers HORIZONTAL MODE setting see table of instrument fields DDF
HORMODE=(b)	(R CR LF)	Sets HORIZONTAL MODE setting see table of instrument fields DDF
HLDWFM? ⁽³⁾	HOLDWFM:(a)	HOLD WAVE FORM Delivers HOLD function setting in Store mode a = 0: Off (HOLD switched off) a = 1: On (HOLD switched on)
HLDWFM=(a) ⁽³⁾	(R CR LF)	HOLD WAVE FORM Sets HOLD setting

ID?	ID: (ARRAY)(CR LF)	IDENTIFICATION (Hardware) Delivers instrument name and hardware identification bytes (3 bytes of commands + 27 bytes of parameters)
INT<x>?	INT<x>:(b)	Delivers INTENS A/B ⁽⁹⁾ value b = 00 hex.: Trace blank timebase <x> (A or B ⁽⁹⁾)
INT<x>=(b)	(R CR LF)	Sets INTENS A/B ⁽⁹⁾ value
INTRO?	INTRO:(b)	Delivers INTENS READ OUT value b = 00 hex.: Read out blanked
INTRO=(b)	(R CR LF)	Sets INTENS READ OUT value
LK?	LK:(a)	Delivers the function of LOCAL LOCK OUT key (AUTO SET) a = 0: Locked a = 1: Free (The Remote mode will be exited on activation of the AUTOSET button and 'RMLK=0' will be sent to the interface)
LK=(a)	[R](CR LF)	Setting the LOCAL LOCK OUT function
PSINT?	PSINT:(a)	Delivers PULSE SWITCH INTENS function of the rotary control: INTENS a = 0: INT A (Intens. trace A) a = 1: INT RO (Intens. Read out) a = 2: INT B (Intens. trace B) ⁽⁹⁾
PSINT=(a)	(R CR LF)	Sets PULSE SWITCH INTENS function of the rotary control: INTENS
PSY1POS?	PSY1POS:(a)	Delivers PULSE SWITCH Y 1 POSITION function of the rotary control: Y-POS. I a = 0: Y1 Position setting a = 3: Y Position setting of timebase B (Trace sep.) in alternating timebase mode ⁽⁹⁾
PSY1POS=(a)	(R CR LF)	Sets PULSE SWITCH Y 1 POSITION (function of the rotary control: Y-POS. I)
PSY2POS?	PSY2POS: (a CR LF)	Delivers PULSE SWITCH Y 2 POSITION function of the rotary control: Y-POS. II a = 0: Y2 Position setting
PSY2POS=(a)	(R CR LF)	Sets PULSE SWITCH Y 2 POSITION function of the rotary control: Y-POS. II
PSTB?	PSTB:(a)	Delivers PULSE SWITCH TB function of the rotary control: TIME/DIV. a = 0: COARSE (1-2-5 sequence) a = 1: FINE (variable, depending on the timebase mode A or B)
PSTB=(a)	(R CR LF)	Sets PULSE SWITCH TB function of the rotary control: TIME/DIV.

PSCH<z>?	PSCH<z>:(a)	Delivers PULSE SWITCH CH1/2 function of the rotary control: VOLTS/DIV (CH I or CH II) a = 0: CHI or II COARSE (1-2-5 sequence) a = 1: CHI or II FINE (variable)
PSCH<z>=(a)	(R CR LF)	Sets PULSE SWITCH CH1/2 function of the rotary control: VOLTS/DIV (CH I or CH II)
QUICKST? ^(1.05)	QUICKST:(a)	Delivers QUICK START MODE a = 0: QUICK START off a = 1: QUICK START on
QUICKST=(a) ^(1.05)	(R CR LF)	Sets QUICK START MODE
RDWFM<z>: (w w) ^(3 7) 1st WORD Offset hex. (2 Kbytes) 2nd WORD length hex. (2 Kbytes)	RDWFM<z>: (W W array) ⁽⁷⁾	READ WAVE FORM 1/2 Delivers signal data of channel <z> (1 or 2), from Offset address (first WORD) with the given length (second WORD) Offset + length max. 2 Kbytes Complete transmission from channel 1: Offset = 0, length = 2048 dec. (2 Kbytes) 'RDWFM1:00000008' (figures in hex.) Data from the right half of the signal of channel 2: Offset = 1024 dec., length = 1024 dec. 'RDWFM2:00040004' (figures in hex.)
READOUT?	READOUT:(a)	Delivers READ OUT setting a = 0: Read out off a = 1: Read out on
READOUT=(a)	(R CR LF)	Sets READ OUT setting
RDREF<z>: (w w) ^(3 7) 1st WORD Offset hex. (2 Kbytes) 2nd WORD length hex. (2 Kbytes)	RDREF<z>: (W W array) ⁽⁷⁾	READ REFERENZ 1/2 Delivers Signal data from Reference store <z> (1 or 2), from Offset address (first WORD) with given length (second WORD) Offset + length max. 2 Kbytes See 'RDWFM<z>'
RECDF=(a)	(R CR LF)	RECALL DDF Reads instrument data field of "SAVE/ RECALL-Store" (a = 1 ... 9) and sets the scope accordingly.
REF<z>POS? ⁽³⁾	REF<z>POS:(b)	Delivers REF 1/2 POSITION Y Position of the reference traces in Digital mode b = FF hex. REF<z> shifted max. upwards
REF<z>POS=(b) ⁽³⁾	(R CR LF)	Sets REF 1/2 POSITION

REF<z>PRE? ⁽³⁾	REF<z>PRE: (array)	REFERENZ 1/2 PREAMBLE Sets the scope in the state in which the reference traces were stored. Besides, information will be sent to the PC. array: 1st WORD: Memory address at the time of triggering 2nd WORD: X resolution = 200 bit/DIV 3rd WORD: Y resolution = 25 bit/DIV 4th WORD: Y1 standardized position based on the value of WORD 3 (Integer value) 5th WORD: Y2 standardized position based on the value of WORD 3 (Integer value)
RES(CR LF) ⁽²⁾	(R CR LF)	Sets RESET function in SINGLE mode
RMO(CR LF)	(R CR LF)	REMOTE Exit remote mode
RREFPRE ⁽³⁾	(R CR LF)	RECALL REFERENZ PREAMBLE Sets the scope in the state in which the current acquisition was stored as reference. (HM1507/1507-2: The REF1 preamble will be loaded if both traces are switched on.)
RODDF?	RODDF:(array)	Delivers READ OUT DEVICE DATA FIELD (RO device data field) (6 bytes of commands + 10 bytes of parameters) See table read out data field RODDF
RODDF=(array)	(R CR LF)	Sets new READ OUT DEVICE DATA FIELD (RO device data field)
SAVEDF=(a)	(R CR LF)	SAVE DEVICE DATA FIELD Stores the current instrument settings in the "SAVE/RECALL-Store" in memory position a (a = 1 ... 9)
SAVREF<z> (CR LF) ⁽³⁾	(R CR LF)	SAVE REFERENZ 1/2 In STORE MODE, stores the current signal data in reference store <z> (1 or 2)
STRMODE? ⁽³⁾	STRMODE:(b)	Delivers STORE MODE see table of instrument fields DDF
STRMODE=(b) ⁽³⁾	(R CR LF)	Sets STORE MODE see table of instrument fields DDF
TB<x>?	(R CR LF)	TIMEBASE A/B Sets timebase A/B setting see table of instrument fields DDF
TB<x>=(b)	TB<x>:(b)	TIMEBASE A/B Delivers timebase A/B setting see table of instrument fields DDF

TB<x>VAR?	TB<x>VAR:(w)	Delivers TIMEBASE A/B VAR setting (10 bits) w = 000 hex.: TB<x> (A or B) calibrated w = 001 .. 3FF hex.: TB<x> uncalibrated
TB<x>VAR=(w)	(R CR LF)	Sets TIMEBASE A/B VAR setting (10 bit)
TRIG?	TRIG:(b)	Delivers TRIGGER parameter see table of instrument fields DDF
TRIG=(b)	(R CR LF)	Sets TRIGGER parameter see table of instrument fields DDF
TRSEP? ⁽⁹⁾	TRSEP:(b)	Delivers TRACE SEP. Y position of the timebase B referred to the Y position of the timebase A b = 00 hex.: B maximum above A b = FF hex.: B maximum below A b = 80 hex.: Y position of B = Y position of A
TRSEP=(b) ⁽⁹⁾	(R CR LF)	Sets TRACE SEP.
TRGSTA?	TRGSTA:(b) TRGSTA:(a) ^(1.17)	Delivers TRIGGERSTATUS a(or b) = 0: Instrument does not trigger a(or b) = 1: Instrument triggers a(or b) = 2: Instrument is in SINGLE RESET MODE or, acquisition not yet terminated.
TRGSTA(CR LF)	(R CR LF)	TRIGGERSTATUS Reset Automatic monoflop (≈ 200ms) Enables immediate interrogation with 'TRGSTA?'.
TRGVAL?	TRGVAL:(array)	Delivers trigger signal voltage value (measured at the trigger amplifier) TRIGGERVALUE array: 16 Bit INTEGER; 1st WORD: Positive peak value 2nd WORD: Negative peak value 3rd WORD: Peak to peak value 4th WORD: DC trigger working point (reference value) Weighting : - WORD 1-3 : ca. 20mV/LSB - WORD 4 : ca. 5mV/LSB and 250mV/DIV (2.00: 1st WORD: Positive peak value 2nd WORD: Negative peak value 3rd WORD: Mean arithmetic value 4th WORD: Reserved Weighting: 1000 Bit/DIV
TRGLEV<x>?	TRGLEV<x>:(w)	Delivers TRIGGER-LEVEL A/B setting (10 bits) w = 3FF hex.: max. positive (right limit) w = 000 hex.: max. negative (left limit)
TRGLEV<x>=(w)	(R CR LF)	Sets TRIGGER-LEVEL A/B setting (10 bits)

VERMODE?	VERMODE:(b)	Delivers VERTICAL MODE (vertical setting) see table of instrument fields DDF
VERMODE=(b)	(R CR LF)	Sets VERTICAL MODE (vertical setting) see table of instrument fields DDF
VERS?	VERS:(ARRAY)	Delivers SOFTWAREVERSIONs 5 bytes of commands + 15 bytes of parameters
WFMPRE? ⁽³⁾	WFMPRE:(array)	WAVE FORM PREAMBLE Delivers Data for the stored traces array: 1st WORD: Memory address at the time of trigger 2nd WORD: X resolution = 200 bit/DIV 3rd WORD: Y resolution = 25 bit/DIV 4th WORD: Y1 position standardized on the value of WORD 3 (integer value) 5th WORD: Y2 position standardized on the value of WORD 3 (integer value)
WRREF<z>: ⁽³⁾⁽⁶⁾ (w w array) 1st WORD Offset hex. (2 Kbytes) 2nd WORD length hex. (2 Kbytes)	(R CR LF)	WRITE REFERENZ 1/2 writes signal data into the reference store <z> (1 or 2), from offset address (first WORD) with given length (second WORD) Offset + length max. 2 Kbytes See 'RDWFM<z>'
XPOS?	XPOS:(w)	Delivers X-POSITION setting (10 bits) w = 3FF hex.: " right limit" w = 000 hex.: " left limit " (1.1: 16 Bit INTEGER value in two's complement referred to graticule center (1000 bits/DIV) ⁽¹⁰⁾
XPOS=(w)	(R CR LF)	Sets X-POSITION setting (10 bits) (1.1: (16 Bit INTEGER)
Y<z>POS?	Y<z>POS:(w)	Y 1/2 POSITION Delivers CH<z> (1 or 2) position setting (10 bits) w = 3FF hex.: Y position maximum upwards w = 000 hex.: Y position maximum downwards (1.1: 16 Bit INTEGER value in twos complement referred to graticule center (1000 bits/DIV) ⁽¹⁰⁾
Y<z>POS=(w)	(R CR LF)	Y 1/2 POSITION Sets CH<z> (1 or 2) position setting (10 bits) (1.1: (16 Bit INTEGER)

All commands will be internally checked for any conflicts and protocolled in RETURNCODE.
The following RETURNCODES (ASCII characters) have been implemented:

- 0 = no error
- 1 = syntax error
- 2 = data error
- 3 = buffer overflow
- 4 = bad data set
- 5 = adjustment error
- 6 = timing error (internal data transmission FC /STORE)

Instrument data field (DDF)

	D7	D6	D5	D4	D3	D2	D1	D0
CH1	GND	AC	INV1	ON	VOLT/DIV - Counter 0-13 0000(1mV/DIV)...1101(20V/DIV)			
CH2	GND	AC	INV2	ON	VOLT/DIV - Counter 0-13			
VERMODE	Alt.- TRG	Probe CH1: ^(2.00) 0 = 1:1 1 = 10:1	0	CHOP	ADD	Probe CH2: ^(2.00) 0 = 1:1 1 = 10:1	TR-SOURCE 00 = CH1 01 = CH2 1x = EXT	
TBA	0	0	ANA SING	MODE	TIME/DIV - Counter Analog: 00hex. - 15hex.{SEA:11hex} 50ns/DIV - 0,5s/DIV{SEA:20ms} Store: ⁽³⁾ 04{03 ⁽⁸⁾ }hex. - 1Chex 1µs{500ns ⁽⁸⁾ }/DIV - 100s/DIV Store XY: ⁽³⁾ 06{05 ⁽⁸⁾ }hex. - 1Chex 40MS{100MS ⁽⁸⁾ }/s - 2S/s Store ROLL: ⁽³⁾ 12hex. - 1Chex 50mS/s - 100S/s			
TBB	B +/- (1=neg. Trigger- edge)	B-TR	0	MODE	TIME/DIV - Counter Analog: 00hex. - TBA(max.11hex.) 50ns - TBA(max.20ms/DIV) Store: ⁽³⁾ 04{03 ⁽⁸⁾ }hex. - TBA(max.11hex.) 1µs{500ns ⁽⁸⁾ }/DIV -TBA(max.20ms/DIV)			
HORMODE	CT (Compo- nents- tester)	XY	x10	STORE ⁽³⁾	0	TB-MODE HM1004-2/1505-2 HM305-2 HM1507/1507-2 HM404/407 000: TBA TBA 001: TBA + TBB reserv. 010: TBA alt.TBB SEARCH 011: TBB DELAY TRG		
TRIG	+/- (1=neg Trigger- edge)	0	P-P	NORM	0	Kopplung 0-7 HM1004-2/1505-2 HM305-2 HM1507/1507-2 HM404/407 000: AC AC 001: DC DC 010: HF HF 011: NR LF 100: LF TVLine 101: TVLine TVField 110: TVField LINE 111: LINE reserv.		
STRMODE ⁽³⁾	REF2	REF1	PRE TRIGGER 000 = -75% 001 = -50% 010 = -25% 011 = 0% 100 = 25% 101 = 50% 110 = 75% 111 = 100%			STOREMODE 000 = REF 001 = SGL 010 = ROL (TB=100s.50ms) 011 = ENV 100 = AVR		
CH2 VAR					8-BIT			
CH1 VAR					8-BIT			
TRSEP ⁽⁹⁾					8-BIT			
HOLD OFF					8-BIT			
INTENS A					8-BIT			
INT B ⁽⁹⁾					8-BIT			

Instrument data field 1 (DDF1)

	D15	D14	D13	D12	D11	D10	D9	D8	D7	D6	D5	D4	D3	D2	D1	D0
TR A LEV	0	0	0	0	0	0	X	X	X	X	X	X	X	X	X	X
TB A VAR	0	0	0	0	0	0	X	X	X	X	X	X	X	X	X	X
X POS	X (1.1)	X (1.1)	X (1.1)	X (1.1)	X (1.1)	X (1.1)	X	X	X	X	X	X	X	X	X	X
Y2 POS	X (1.1)	X (1.1)	X (1.1)	X (1.1)	X (1.1)	X (1.1)	X	X	X	X	X	X	X	X	X	X
Y1 POS	X (1.1)	X (1.1)	X (1.1)	X (1.1)	X (1.1)	X (1.1)	X	X	X	X	X	X	X	X	X	X
TR B LEV	0	0	0	0	0	0	X	X	X	X	X	X	X	X	X	X
TB B VAR	0	0	0	0	0	0	X	X	X	X	X	X	X	X	X	X
DEL POS	0	0	0	0	0	0	X	X	X	X	X	X	X	X	X	X

Read out data field (RODDF)

	D15	D14	D13	D12	D11	D10	D9	D8	D7	D6	D5	D4	D3	D2	D1	D0
CURSOR MODE	0	0= CH1 1= CH2	0	0=X 1=Y	1= Trk	0dt 1=f	0	1= Crs On	I	N	T	-	R	O	U	T
CURSOR X active	X (1.1)	X (1.1)	X (1.1)	X (1.1)	X (1.1)	X (1.1)	X	X	X	X	X	X	X	X	X	X
CURSOR X passive	X (1.1)	X (1.1)	X (1.1)	X (1.1)	X (1.1)	X (1.1)	X	X	X	X	X	X	X	X	X	X
CURSOR Y active	X (1.1)	X (1.1)	X (1.1)	X (1.1)	X (1.1)	X (1.1)	X	X	X	X	X	X	X	X	X	X
CURSOR Y passive	X (1.1)	X (1.1)	X (1.1)	X (1.1)	X (1.1)	X (1.1)	X	X	X	X	X	X	X	X	X	X

(1.05 From FC-Version 1.05

(1.1 From FC-Version 1.10

(1.17 From FC-Version 1.17

(1.19 From FC-Version 1.19

(2.00 From FC-Version 2.00

(2 Analog SINGLE MODE: RES = 1 -> Prepares for a trigger event
STORE MODE: RES = 1 -> Starts the digital acquisition anew.
(Exception SINGLE Mode: Trigger event necessary)

(3 Only in Analog / Digital Scope

(4 The data will be loaded in an EEPROM. This consists of only a limited number ($\geq 1\ 000\ 000$) of program cycles. Therefore this command should not be used too often unnecessarily.

(5 This function will be reset after a counter has run down (ca. 5s). Each further output before the end of the interval sets the counter anew and thus prolongs the time until reset.

(6 The maximum interval permitted between the transmission of each trace byte is 2s, otherwise the scope will exit the remote state.

(7 Valid for FC-Versions lower 1.05:

For (w w) stands (w,w); comma as ASCII character.

For (w w array) stands (w,w:array); comma and colon as ASCII character.

(8 Only HM1507 and HM1507-2

(9 Only for instruments with 2 timebases.

(10 16 Bit INTEGER value in two's complement based on the graticule center (1000 bit/DIV).

Ex. 1: Set Y position to graticule center Output: 0 dec. = 0 hex.

Ex. 2: Set Y position to +1 division Output: 1000 dec. = 3E8 hex.

Ex. 3: Set Y position to -1 division Output: 64536 dec. = FC18 hex.

Examples

Some examples, with detailed explanations regarding the command, are given below. Most of the commands are terminated with CR (ENTER)= 0Dhex and LF = 0Ahex. Also, the scope terminates each acknowledgment string with these characters. The command parameters (given in brackets) may be ASCII characters (a), or binary values (b).

BELL=(a)

Explanation: This command outputs the tone 2.
String to scope: BELL=2 CR
Character sequence in hex representation: 42 45 4C 4C 3D 32 0D
Answer from scope: 0 CR LF
Answer from scope in hex representation: 30 0D 0A

CH1=(b)

Explanation: This command switches the channel on, with 5mV and AC.
See also byte 1 of DDF.
String to scope: CH1= (52hex) CR
Character sequence in hex representation: 43 48 31 3D 52 0D
Answer from scope: 0 CR LF
Answer from scope in hex representation: 30 0D 0A

ERRBP?

Explanation: This command interrogates the status of the control tone for error. 1 means Error beep is switched on, 0 corresponds to off.
String to scope: ERRBP? CR
Character sequence in hex representation: 45 52 52 42 50 3F 0D
Answer from scope: ERRBP:1
Answer from scope in hex representation: 45 52 52 42 50 3A 31

RDWFM1:(ww)

Explanation : Read signal trace from channel 1.

Parameter 1: Start address in acquisition store = 0 dec. = (00 00)hex.

Parameter 2: Number of bytes to be read = 2048 = (08 00) hex. When transmitting word data, note that the low byte must be output first.

It is possible to read only a part of the acquired signal by transmitting other values for the start address and the number of bytes to read.

String to scope: RDWFM1:(00hex)(00hex)(00hex)(08hex) CR

Character sequence

in hex representation: 52 44 57 46 4D 31 3A 00 00 00 08 0D

Answer from scope

in hex representation: 52 44 57 46 4D 31 3A 08 00 00 08 XX XX ...

... XX ;(2048 Byte XX)

WFMPRE?

String to scope: WFMPRE?

Answer from scope

in hex representation: 57 46 4D 50 52 45 3A XX XX C8 00 19 00 YY YY ZZ ZZ

Explanation: Byte 1 to 7: WFMPRE:

Byte 8 & 9: Number of the byte at trigger

Byte 10 & 11: Resolution in X direction per Div. (200)

Byte 12 & 13: Resolution in Y direction per Div. (25)

Byte 14 & 15: (YY YY) Y1 position as 16 bit integer variable standardized on 25 per Div., where the value 0 signifies no shift, 25 shifted one division up and -25 shifted one division down.

Byte 16 & 17: (ZZ ZZ) Y2 position standardized on 25 per Div.

Calculating the voltage of the sampled signal form:

Given: UN : Voltage value of the Nth sample

25 : Y resolution per Div. (see WFMPRE?)

Y1Pos : Y1 position of the signal form (see WFMPRE? YY YY)

ByteN : Value of the signal form byte (see RDWFM1 XX)

V/Div : Attenuator setting (e.g.: 5mV)

Calculation without taking the Y1 position into account:

$$UN = (\text{ByteN} - 128)/25 * \text{V/Div}$$

With this method it is only possible to evaluate the voltage difference of the acquired signal, since there is no reference (Zero voltage). In order to calculate the absolute voltage of the sample one should include the Y position in the calculations.

$$UN = (\text{ByteN} - 128 - \text{Y1Pos})/25 * \text{V/Div}$$

The deflection coefficient (V/DIV) is obtained from the DDF byte 1 or with the command CH1?.

TRGVAL?

With this command it is possible to evaluate the peak value and the arithmetical mean value of the measured signal. This is shown in the following example.

Scope setting: Channel 1 on; 5mV deflection sensitivity; DC input coupling; probe 1:1; 1kHz calibration; probe in the calibration socket; trigger source - channel 1; AC Trigger coupling; Timebase A set to 200µs; analog mode.

A positive square wave signal with an amplitude of 4 div. can be seen on the oscilloscope display.

String to scope: TRGVAL?

Answer from scope

in hex representation: 54 52 47 56 41 4C 3A D0 07 30 F8 D0 07 XX XX

Explanation: Byte 1 to 7: String TRGVAL:
Byte 8 and 9: Positive peak value (signal)
Byte 10 & 11: Negative peak value (signal)
Byte 12 & 13: Arithmetic mean value (signal)
Byte 14 & 15: Reserved (value undefined)

Positive and negative peak values are integer values referred to the mean value with the weighting of 1000/div.

Then follows: 07D0 hex. = +2000 decimal

F803 hex. = - 2000 decimal

Mean value: $U_m = 2000/1000 * 5mV = 10mV$

positive peak value: $U_{pp+} = 2000/1000 * 5mV + U_m = 20mV$

negative peak value: $U_{pp-} = -2000/1000 * 5mV + U_m = 0mV$

Since the trigger amplifier is not calibrated there can be a deviation from the values.

Remote control with the Term9X program of NORTON COMMANDER

1. Settings

1.1 term90.exe

Under ' Settings \ Interface':

Port:	Your free serial port, e.g. COM2.
Baud rate:	recommended 19200.
Data bits:	8 BITS
Parity:	None
Stop bits:	2 BITS
Data exchange:	Xon/Xoff to off. RTS/CTS/ to on.

Under 'Settings \ Terminal' mark the 'ANSI' .
Under 'Settings \ ' mark the option 'Echo'.

1.2 term95.exe

Under 'Settings \ Driver' mark the option 'Standard'.

Under 'Settings \ Line...':

Port:	Your free serial port, e.g. COM2.
Baud rate:	Recommended 19200.
Data bits:	8 BITS
Parity:	None
Stop bits:	2 BITS
Data exchange:	Xon/Xoff to off. RTS/CTS/ to on.

Under 'Settings \ Terminal Emulation' mark the option 'ANSI'.
Under 'Settings \ Terminal settings' mark the option 'Echo'.

2. Remote control

The transmission can be started after all settings have been correctly set,.

Remote On: Enter one after the other a SPACE and ENTER.
The instrument goes into remote mode, which is evident from the Remote LED.
Now you can enter any desired command such as, for example, 'vers?'.

Example: Switch on channel 2 of the instrument and at the same time set it to 5mV.
Enter 'ch2=', press the key "Alt Gr" and simultaneously enter from the number keyboard one after the other the numbers 0,1 and 8. After releasing the "Alt Gr" key, the instrument will be set.
The RETURNCODE will be displayed behind the transmitted command.

The value 0 ("Alt Gr" 000) will not be transmitted

HAMEG[®] **Instruments**

Oscilloscopes

Multimeters

Counters

Frequency Synthesizers

Generators

R- and LC-Meters

Spectrum Analyzers

Power Supplies

Curve Tracers

Time Standards

4S-0305-02E0

HAMEG GmbH

Industriestraße 6

D-63533 Mainhausen

Telefon: +49 (0) 6182 / 800-0

Telefax: +49 (0) 6182 / 800-100

E-mail: sales@hameg.de

service@hameg.de

Internet:

www.hameg.de

Printed in Germany